

Stepped clamps

continuously adjustable

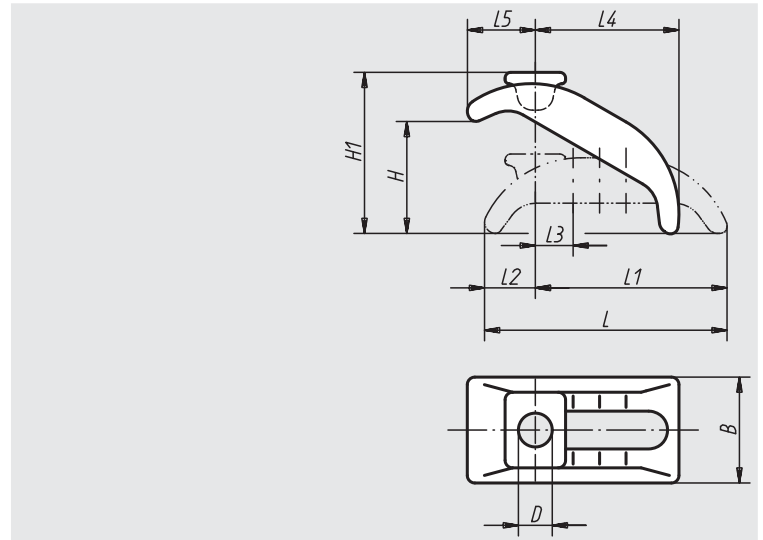


Material:
Tempered steel

Surface finish:
Blue galvanised;
without clamping screw

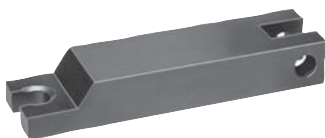
Sample order:
nlm 04205-20

Note:
The infinitely variable clamp quickly bridges the various tension levels with no additional base and takes up little space on the machine-tool table. The clamp is designed to take the greatest stress and is especially suited to tightening cutting and die-stamping tools. Suitable mounting bolts for these clamps see 07040.



Order No.	suitable for slot width	suitable fastening screw	D	L	L1	L2	L3	L4	L5	B	H	H1	Approx. weight kg
04205-12	12, 14	M12	13	88	68	23	14	48	28	38	0-40	57	0,280
04205-16	16, 18	M16	18	130	101	29	18	74	38	56	0-65	90	0,775
04205-20	20, 22	M20	22	144	112	32	20	80	46	66	0-70	103	1,330
04205-24	24, 28	M24	26	174	135	39	24	100	52	76	0-85	120	1,995

Hinged clamps

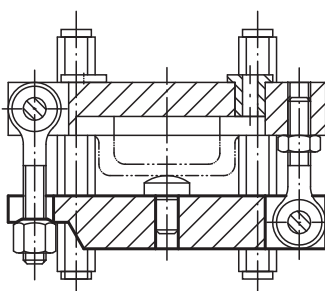
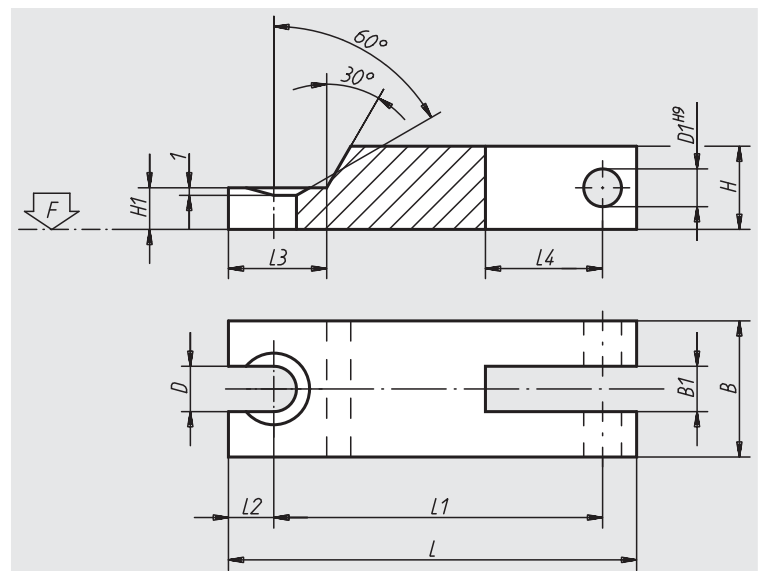


Material:
Tempered steel 1.1191

Surface finish:
Black oxide finish

Sample order:
nlm 04210-10

Note:
Suitable hinge pins see 04520.
Use hexagon nut 07260 to clamp.



Order No.	L	L1	L2	L3	L4	B	B1	H	H1	D	D1	F kN	Approx. weight kg
04210-08	100	85	7	17	11	25	9,5	16	8	9	8	17,54	0,080
04210-10	125	105	10	24	12	32	12,5	20	10	11	10	27,8	0,130
04210-12	160	138	10	25	15	40	14,5	25	12,5	14	12	40,4	0,270