

# Adjustable cam levers in stainless steel

with external thread



**Material, surface finish:**

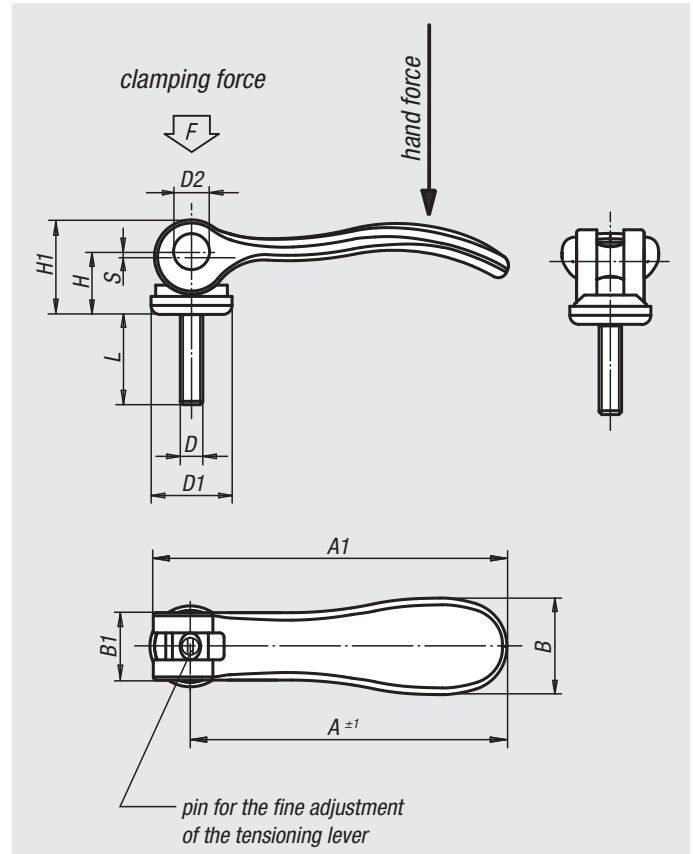
Handle 1.4308, electrolytic polished; thrust washer in glass-fibre reinforced plastic PA 66 GF 35-X, black; hinge pin, threaded stud and washer 1.4305, natural finish

**Sample order:**

nIm 04233-112005X20 (please also indicate dimension L)

**Note:**

Adjustable cam levers are used, if the position of the tensioning lever relative to the axis of tension only permits one specific position (faulty circuit). The exact position of the tensioning lever is adjusted with the aid of a screwdriver via the fine thread located on the stud.



Order No.	Size	External thread D	D1	D2	B	B1	H	H1	A	A1	L = screw length	Stroke S	Clamping force F (kN)	Hand force N
04233-112005X	1	M5	18	9	21,5	15	14,5	22	70,4	79,2	20/30/40/50	1,2	4	120
04233-112006X	1	M6	18	9	21,5	15	14,5	22	70,4	79,2	20/30/40/50	1,2	4	120
04233-212008X	2	M8	27	11	33,2	24	18	28,5	96	108	25/30/40/50	1,5	8	350
04233-212010X	2	M10	27	11	33,2	24	18	28,5	96	108	25/30/40/50	1,5	8	350

01000 02000 03000 04000 05000 06000 07000 08000 09000 20000 21000 22000 23000