

Hook clamps

with collar



Material:

Hook clamps and hook joints in tempered, heat-treated steel

Surface finish:

Black oxide finish

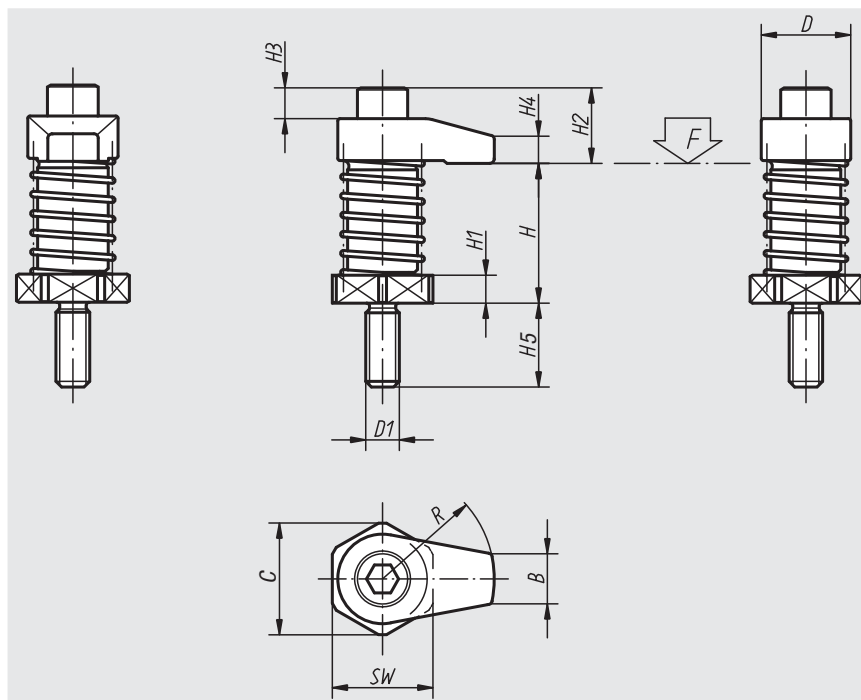
Sample order:

nIm 04373-12060

Note:

Hook clamps with collar can be screwed directly into an M.T.P. hole or similar, even without counterbore.

For suitable height adjustment elements, see Joint bars 04378.



Order No.	D	D1	H clamping range	H1	H2	H3	H4	H5	B	C	R	SW	Tightening torque max. Nm	F max. kN	Approx. weight kg
04373-08020	22	M8	35 - 45	6	14	2	7	19	10	25	20	22	20	7,9	0,130
04373-08025	22	M8	35 - 45	6	14	2	7	19	10	25	25	22	20	7,3	0,135
04373-08030	22	M8	35 - 45	6	14	2	7	19	10	25	30	22	20	6,7	0,145
04373-08120	22	M8	45 - 55	16	14	2	7	19	10	25	20	22	20	7,9	0,160
04373-08125	22	M8	45 - 55	16	14	2	7	19	10	25	25	22	20	7,3	0,165
04373-08130	22	M8	45 - 55	16	14	2	7	19	10	25	30	22	20	6,7	0,175
04373-12040	32	M12	50 - 65	10	27	11	10	30	18	40	40	36	45	13,5	0,430
04373-12050	32	M12	50 - 65	10	29	11	12	30	18	40	50	36	45	12,6	0,495
04373-12060	32	M12	50 - 65	10	29	11	12	30	18	40	60	36	45	11,7	0,535
04373-12140	32	M12	65 - 80	25	27	11	10	30	18	40	40	36	45	13,5	0,560
04373-12150	32	M12	65 - 80	25	29	11	12	30	18	40	50	36	45	12,6	0,620
04373-12160	32	M12	65 - 80	25	29	11	12	30	18	40	60	36	45	11,7	0,660
04373-16040	36	M16	50 - 65	10	36	15	15	30	22	40	40	36	60	13,4	0,635
04373-16050	36	M16	50 - 65	10	36	15	15	30	22	40	50	36	60	12,4	0,695
04373-16060	36	M16	50 - 65	10	36	15	15	30	22	40	60	36	60	12	0,735
04373-16140	36	M16	65 - 80	25	36	15	15	30	22	40	40	36	60	13,4	0,765
04373-16150	36	M16	65 - 80	25	36	15	15	30	22	40	50	36	60	12,4	0,825
04373-16160	36	M16	65 - 80	25	36	15	15	30	22	40	60	36	60	12	0,865