

Hook clamps

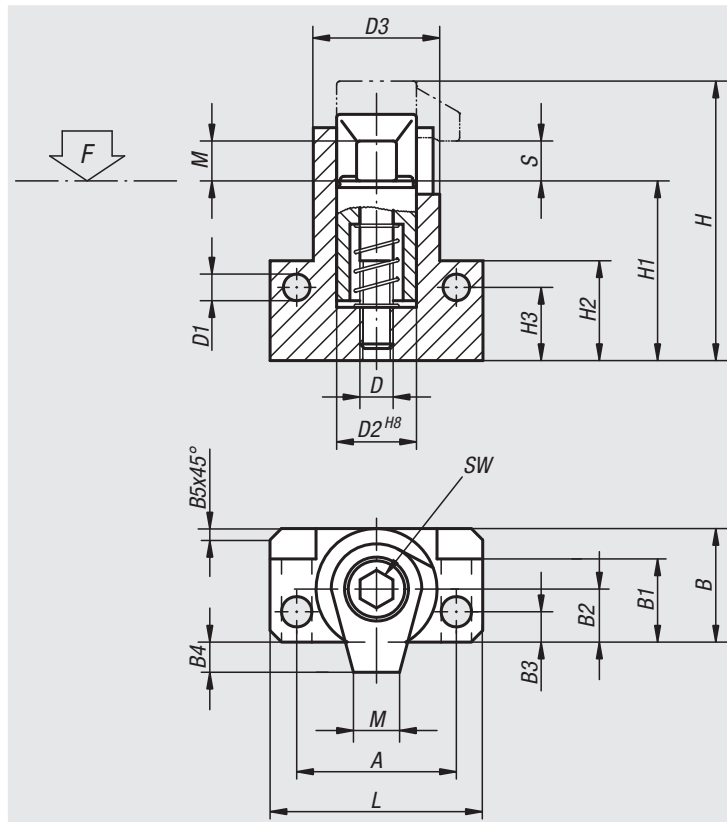
with mounting bracket



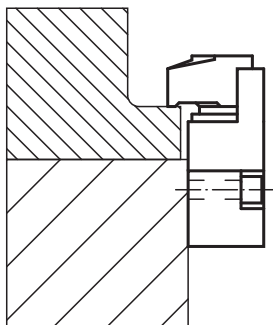
Material:
Hook clamps and clamping screw in tempered, heat-treated steel

Surface finish:
Black oxide finish

Sample order:
nlm 04374-12



example:



Order No.	D	D1	D2	D3	A	B	B1	B2	B3	B4	B5	H	H1	H2	H3	L	M	S	SW	Tightening torque max. Nm	F max. kN	Approx. weight kg
04374-08	M8	6,4	20	28	38	26	19,5	12	6	6	2,5	62	47,5	25	18	50	10	4	6	30	17	0,330
04374-10	M10	8,4	24	34	48	31	22,5	14	7,5	9	3	74	57,5	30	21	64	12	5	8	50	18	0,555
04374-12	M12	10,5	28	40	55	36,5	26	16,5	9	10,5	3,5	87	67	35	24	75	15	5	10	60	20	0,810
04374-16	M16	12,8	34	48	65	43,5	31	19,5	10	16,5	4	112	87	45	32	88	20	5	14	120	24	1,590