

Hook holders


Material:

Tempered steel

Surface finish:

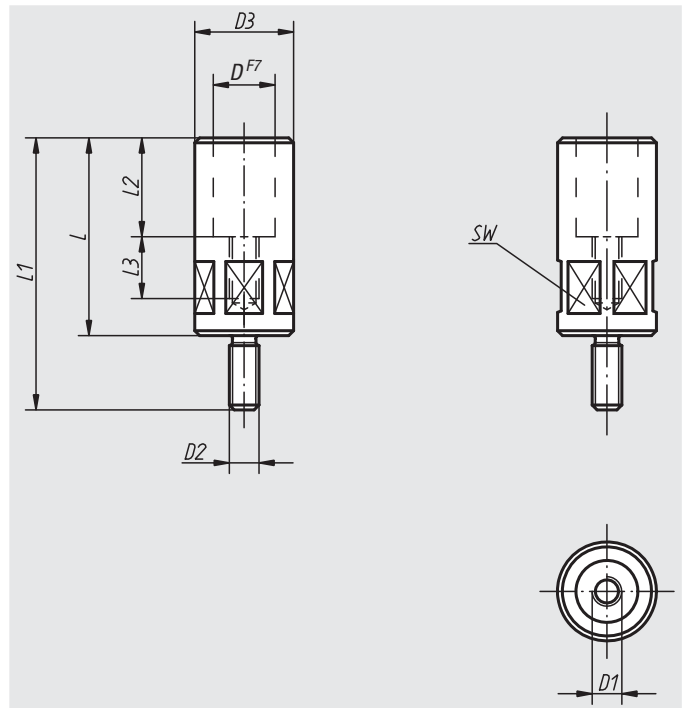
Black oxide finish

Sample order:

nlm 04375-12080

Note:

Hook holders serve to guide and raise hook clamps.



Order No.	D	D1	D2	D3	L	L1	L2	L3	SW	Tightening torque max. Nm	Approx. weight kg
04375-08055	18	M8	M8	24	55	74	25	20	22	29,4	0,135
04375-10063	20	M10	M12	32	63	93	30	21	30	39,2	0,400
04375-10080	20	M10	M12	32	80	110	30	23	30	39,2	0,500
04375-12080	25	M12	M12	40	80	110	40	25	36	49	1,080
04375-12100	25	M12	M12	40	100	130	40	28	36	49	1,280
04375-16080	32	M16	M16	50	80	110	40	25	46	78,4	1,690
04375-16100	32	M16	M16	50	100	130	40	28	46	78,4	2,000