

Clamping bolts


Material:

Clamping bolt, steel;
clamping screw, tempered steel;
clamping ring, brass

Surface finish:

Clamping bolt, hardened and black oxide finish;
clamping screw, black oxide finish;
clamping ring, natural finish

Sample order:

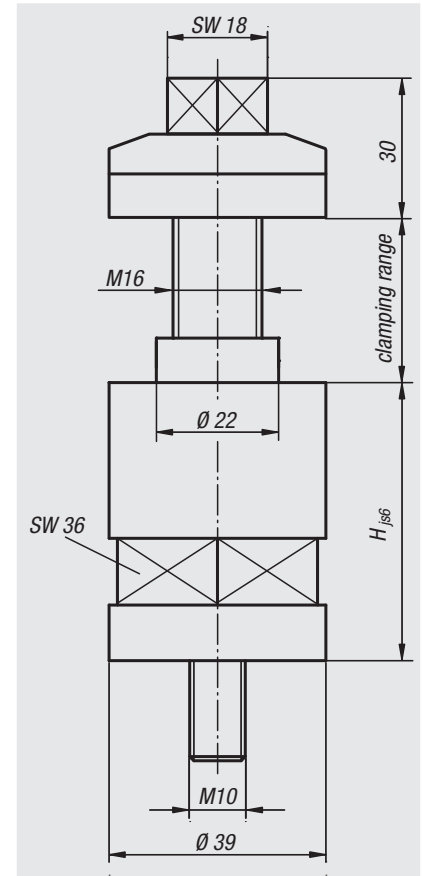
nIm 04395-050

Note:

The clamping bolts can be fixed to the machine table directly with T-slot nuts. Clamping parallel to the table is guaranteed by low tolerance classes (js6) for the height.

The clamping range is 8 – 40 mm. Clamping screws for the ranges 40 – 67 and 65 – 87 mm are also available.

The intermediate plate prevents damage to the machine table, as well as shifting during tightening. The brass clamping ring prevents impressions on the workpiece.



Clamping bolts

Order No.	H	Clamping range	Approx. weight kg
04395-050	50	8 - 40	0,663
04395-100	100	8 - 40	1,115

Clamping screws

Order No.	Clamping range	Approx. weight kg
04395-4067	40 - 67	0,300
04395-6587	65 - 87	0,400