

## Knife edge cam clamps


**Material:**

Case hardened steel notched ring,  
eccentric screw treated steel

**Surface finish:**

Eccentric screw heat-treated quality class 10.9, black oxide finish; hardened anodized notched ring

**Sample order:**

nIm 04434-16

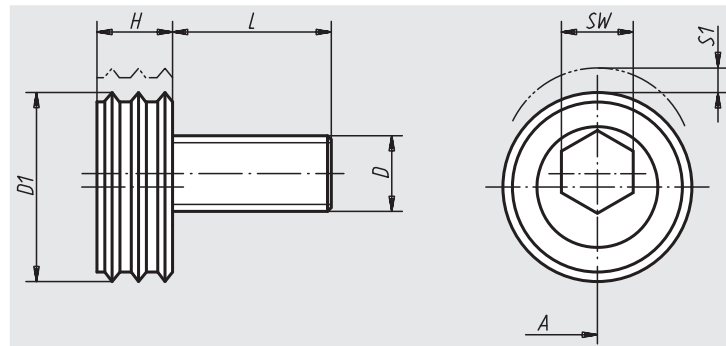
**Note:**

The notched ring is fully suitable for fastening rough pieces (mouldings or rough forging).

„A“ = distance from workpiece to the centre of the thread (clamping screw).

**On request:**

Spare eccentric screws.



Order No.	A	D	D1	L	H	SW	S1 (Clamping travel)	Clamping force kN	Tightening torque max. Nm	Approx. weight kg
04434-12	12,7	M12	25,4	22,5	9,6	8	2	17,8	88	0,045
04434-16	15	M16	30,1	26,8	12,7	12	2,5	26,7	135	0,090

## Low-profile equal hex cam clamps


**Material:**

Eccentric screw tempered steel,  
brass hexagonal nut

**Surface finish:**

Eccentric screw heat-treated class 10.9, black oxide finish

**Sample order:**

nIm 04435-12

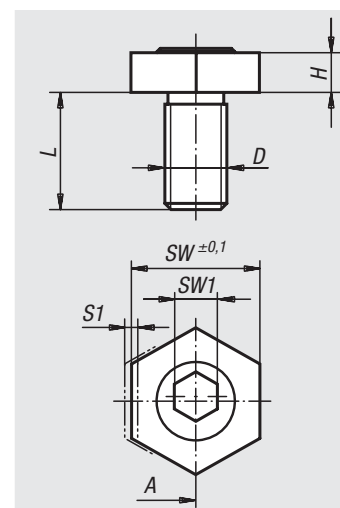
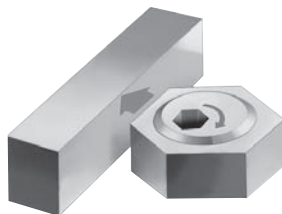
**Note:**

The very small height of the cam clamp makes it possible to solve a large number of problems with small pieces and nesting. The brass fastening nut offers extremely safe and stable fastening, at the same time keeping the surface protected. The simultaneous use of several cam clamps makes it possible to fit out whole pallets.

„A“ = distance from workpiece to the centre of the thread (clamping screw).

**On request:**

Spare eccentric screws.



Order No.	A	D	H	L	SW	SW1	S1 (Clamping travel)	Clamping force kN	Tightening torque max. Nm	Approx. weight kg
04435-04	3,8	M4	2,8	9,5	7,93	3	0,8	0,9	2,2	0,003
04435-06	7,8	M6	4,8	11	15,86	4	1,3	3,4	8,5	0,011
04435-08	10,2	M8	4,8	15	20,61	5	1	3,4	11,3	0,018
04435-10	10,2	M10	6,4	19	20,61	7	1,4	8,9	28,06	0,027
04435-12	12,7	M12	9,5	23	25,38	8	2	17,8	88	0,053
04435-16	15	M16	12,7	27	30,13	12	2,5	27,7	135	0,103