

Adjustable supports

**Material:**

Tempered steel

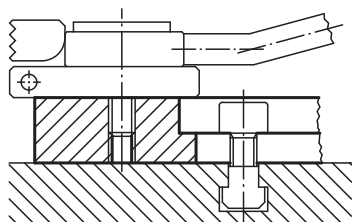
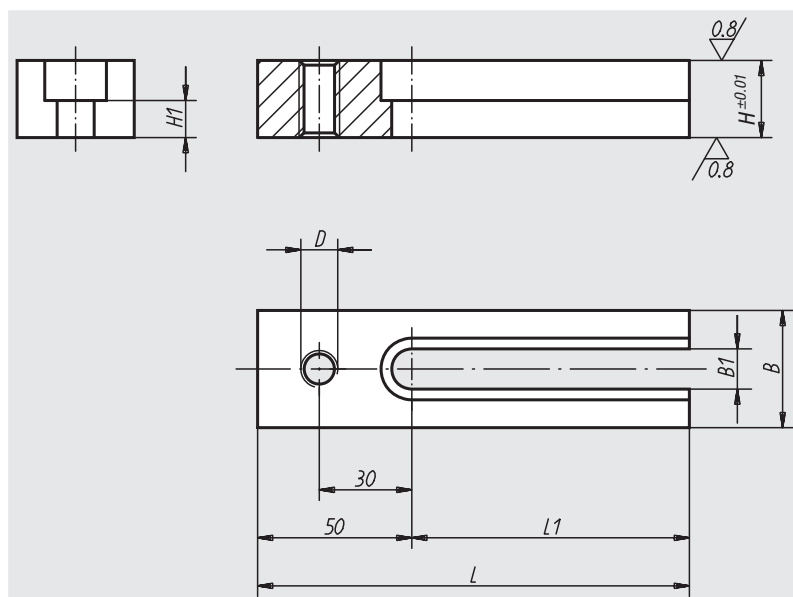
Surface finish:tempered and black oxide finish;
support surfaces ground**Sample order:**

nlm 04512-12125

Note:

The threaded hole is used to affix jig components.

Adjustable by using the supports, can be set in any position.



Order No.	D	L	L1	B	B1	H	H1	Approx. weight kg
04512-12025	M12	90	40	38	13	25	12	0,492
04512-12032	M12	90	40	38	13	32	19	0,645
04512-12040	M12	90	40	38	13	40	27	0,813
04512-12050	M12	90	40	38	13	50	37	1,027
04512-12125	M12	140	90	38	13	25	12	0,700
04512-12132	M12	140	90	38	13	32	19	0,924
04512-12140	M12	140	90	38	13	40	27	1,175
04512-12150	M12	140	90	38	13	50	37	1,487
04512-16032	M16	90	40	50	17	32	15	0,800
04512-16040	M16	90	40	50	17	40	23	1,014
04512-16050	M16	90	40	50	17	50	33	1,300
04512-16132	M16	140	90	50	17	32	15	1,153
04512-16140	M16	140	90	50	17	40	23	1,480
04512-16150	M16	140	90	50	17	50	33	1,880