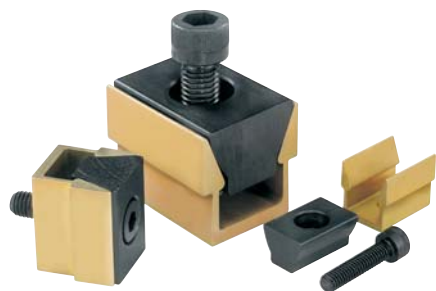


Double edge clamps



Material:

Exterior part in aluminium profile,
taper in hardened steel

Surface finish:

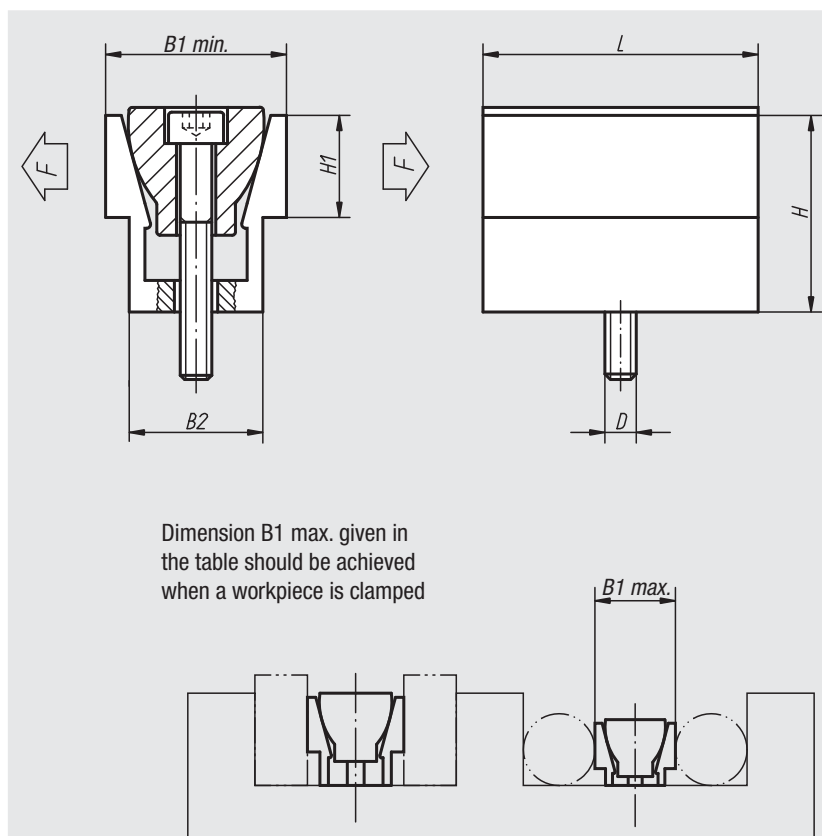
Exterior part anodized, taper black oxide finish

Sample order:

nIm 04522-08

Note:

A double edge clamp clamps two workpieces simultaneously. It is perfectly suited to clamp both round and rectangular pieces. Due to its compact construction, space-saving multiple clamping is possible.



Order No.	D	L	B1 min. - max.	B2	H	H1	F kN	Tightening torque max. Nm	Approx. weight kg
04522-04	M4	15,9	12,3 - 13,1	10,4	12,8	5,6	2,2	3,4	0,012
04522-06	M6	23,5	18,6 - 19,9	15,8	19	9,5	6,7	14,3	0,040
04522-08	M8	32	24,8 - 26,6	20,8	25,4	12,7	8,9	14,5	0,090
04522-12	M12	47,6	37,3 - 39,7	31,1	38,2	19	15,6	38,4	0,300
04522-16	M16	63,5	49,7 - 52,8	41,5	50,8	25,4	26,7	74,6	0,710