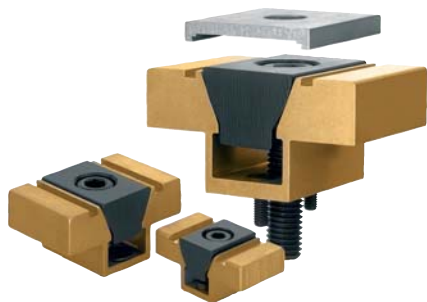


# Double edge clamps

with machining allowance



### Material:

Exterior part in aluminium profile,  
taper in hardened steel

### Surface finish:

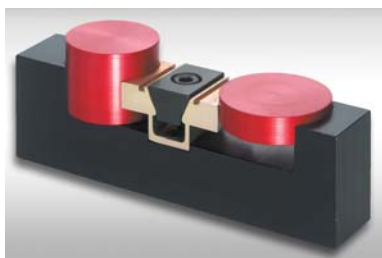
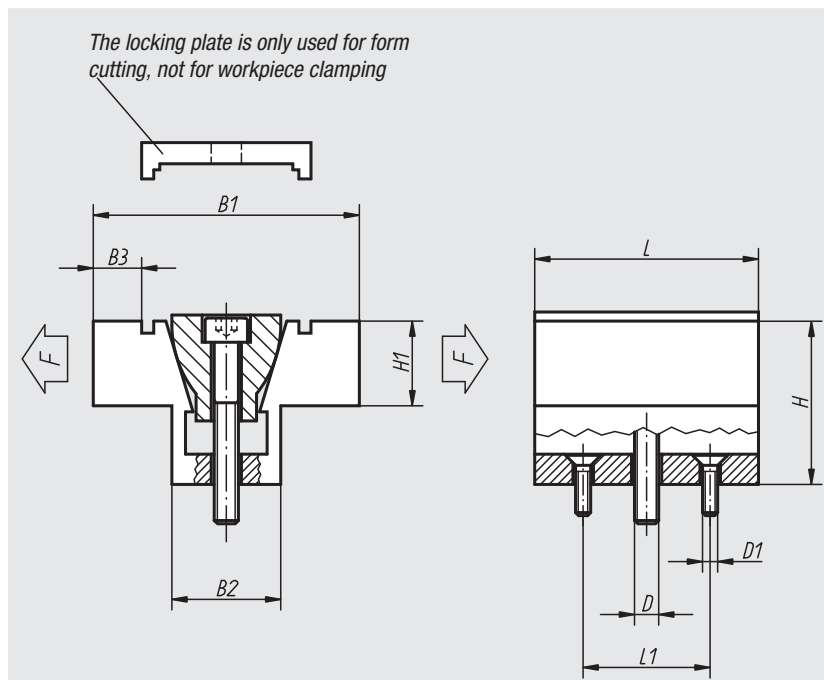
Exterior part anodized, taper black oxide finish

### Sample order:

nIm 04523-08

### Note:

A double edge clamp clamps two workpieces simultaneously. By means of appropriate countersinking workpieces can be clamped with form-fit and thus absolutely safely and free of torsion. Due to its compact construction, space-saving multiple clamping is possible.



Order No.	D	D1	L	L1	B1 min. - max.	B2	B3	H	H1	F kN	Tightening torque max. Nm	Approx. weight kg
04523-04	M4	M2	15,9	10,2	28,6 - 29,1	10,6	4,6	12,7	6,3	2,2	3,4	0,018
04523-06	M6	M4	23,9	15,9	38,1 - 39	16,1	6,6	19	9,5	6,7	14,3	0,056
04523-08	M8	M4	31,8	20,6	50,8 - 52	20,8	9,4	25,4	12,7	8,9	14,5	0,123
04523-12	M12	M5	47,6	30,5	76,2 - 78	30,9	14,8	38,1	19	15,6	38,4	0,420
04523-16	M16	M6	63,5	40	101,6 - 103,9	41,3	20,3	50,8	25,4	26,7	74,6	1,008