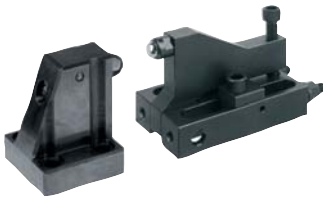


Side clamps

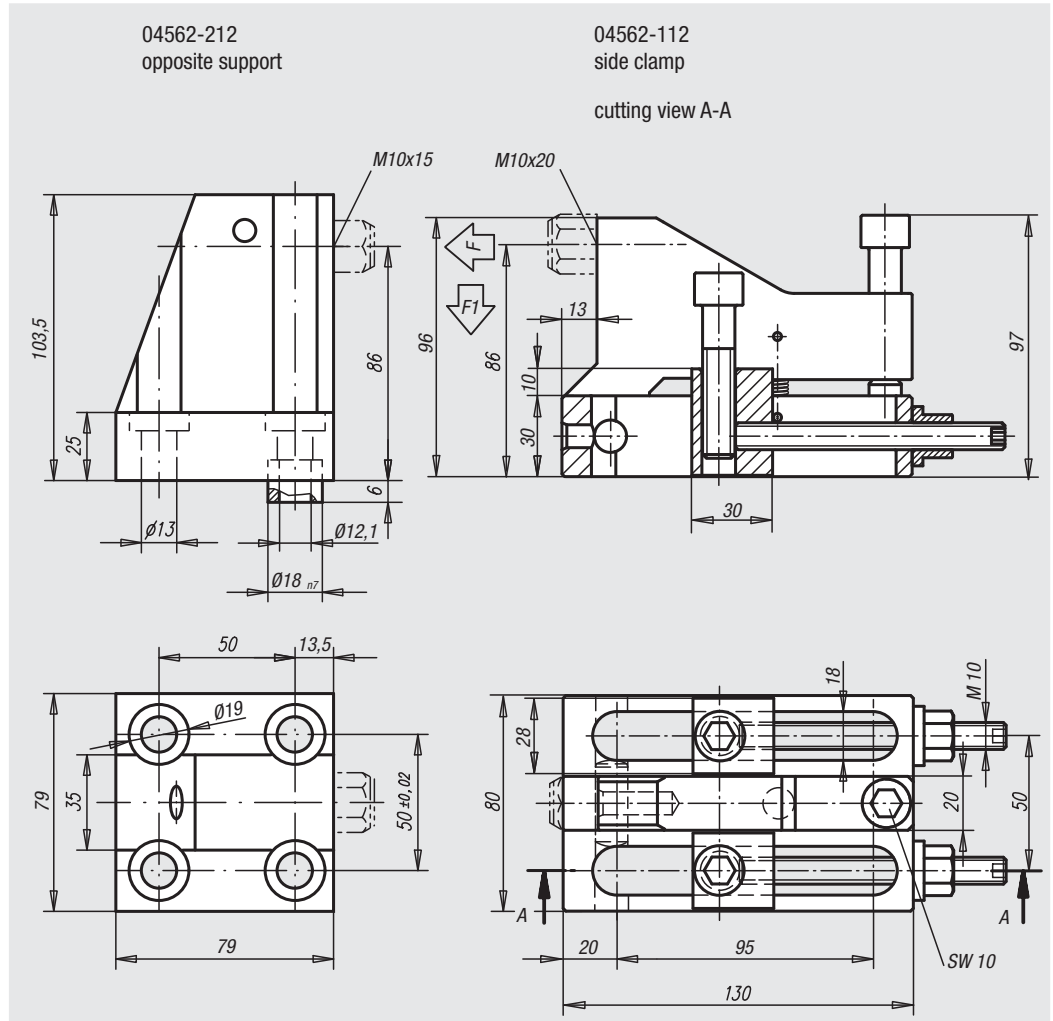


Material:
Body: steel 1.1191

Surface finish:
black oxide finish;
centring sleeve hardened

Sample order:
nlm 04562-112
(toggle locator not supplied)

Note:
This assembly, comprising the adjustable side clamp and side stop, is used to clamp and hold down in a single working stage. The brace converts the clamping force into downward force and therefore guarantees that the part for machining is efficiently held down. The side clamp is fitted with 2 DIN 913 threaded pins, which prevent backward slippage during the clamping process. For suitable seats see: 02000, 02007, 02041, 02080.



Order No.	F kN	F1 kN	Approx. weight kg
04562-112	25	5	2,500
04562-212	22,5	4,5	2,000

01000
02000
03000
04000
05000
06000
07000
08000
09000
20000
21000
22000
23000