

Side clamps



Material, surface finish:

Base body and handle in tempered steel, base body hardened and black oxide finish, handle black oxide finish; jaw and cam in hardened tool steel and black oxide finish; ball knob in black duroplastic PF 31

Sample order:

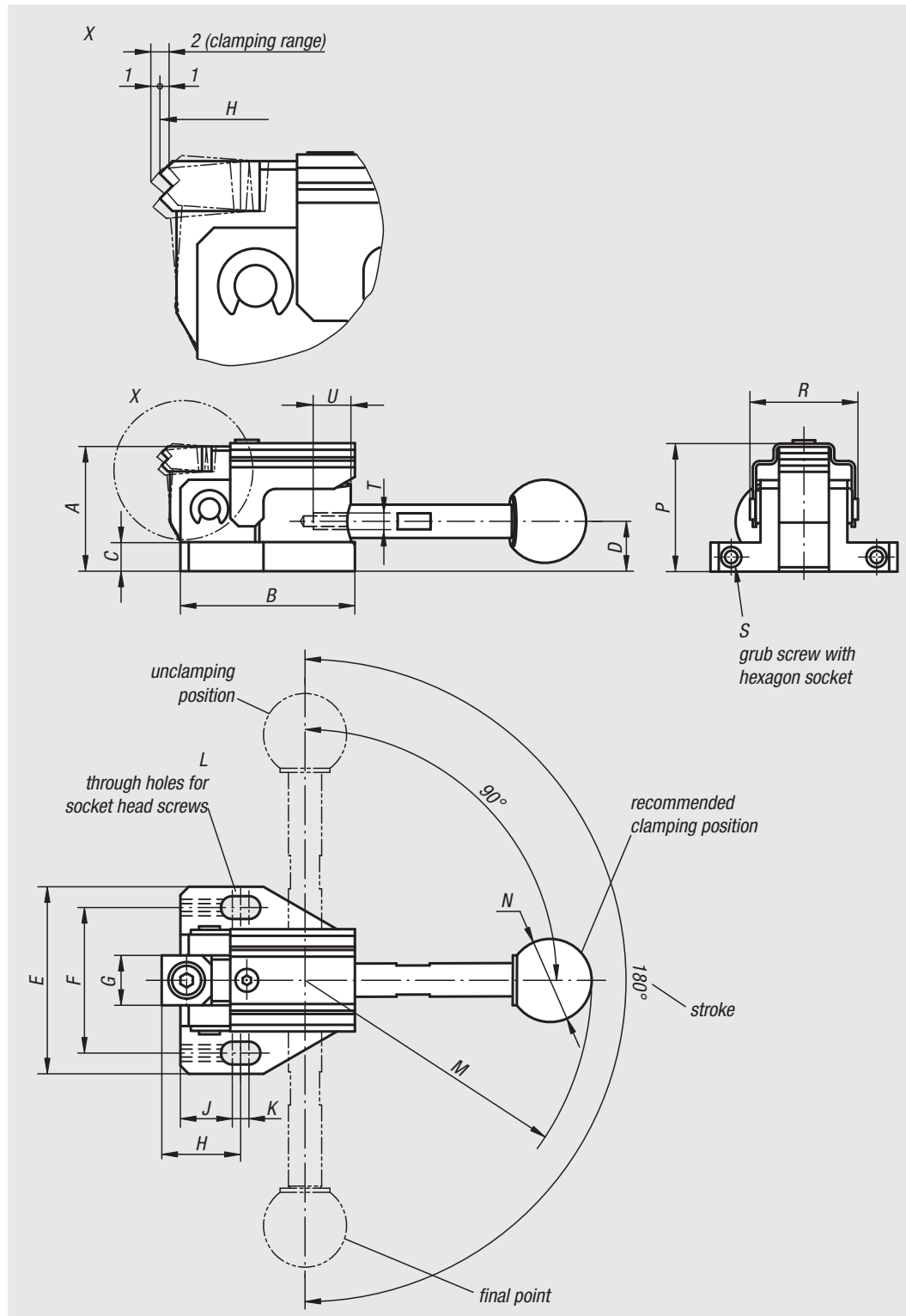
nIm 04565-0501

Note:

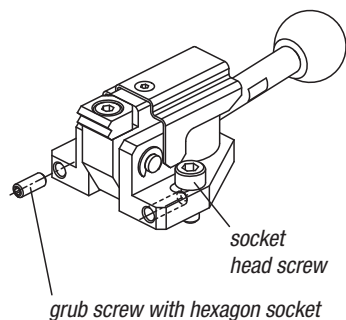
* Admissible hand force to operate the handle.

Accessory:

Standard handles 06355.
Screw-in handles with adjustable torque 06357.



Technical information:



The oblong hole allow adjusting the clamping range. Tightening the grub screws in the base front allows preventing the side clamp from sliding back at the clamping mode.

Order No.	Surface finish	A	B	C	D	E	F	G	H	J	K	L	M	N	P	R	S	T	U	Clamping force N	Hand force N	Approx. weight kg
04565-0500	without handle	30	42	7	12	45	35	12	19	12,5	4	M5	69	20	31	26	M4x10	M5	7	3000	150*	0,180
04565-0501	with handle	30	42	7	12	45	35	12	19	12,5	4	M5	69	20	31	26	M4x10	M5	7	3000	150*	0,210
04565-0800	without handle	40	62	10	16	65	50	16	28	18,5	5	M8	104	25	41	38	M4x15	M6	9,5	4000	200*	0,530
04565-0801	with handle	40	62	10	16	65	50	16	28	18,5	5	M8	104	25	41	38	M4x15	M6	9,5	4000	200*	0,590