

# Tightening screws

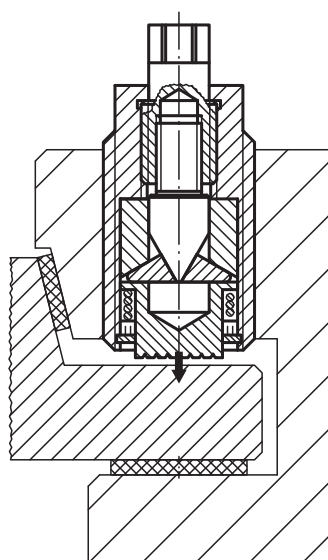
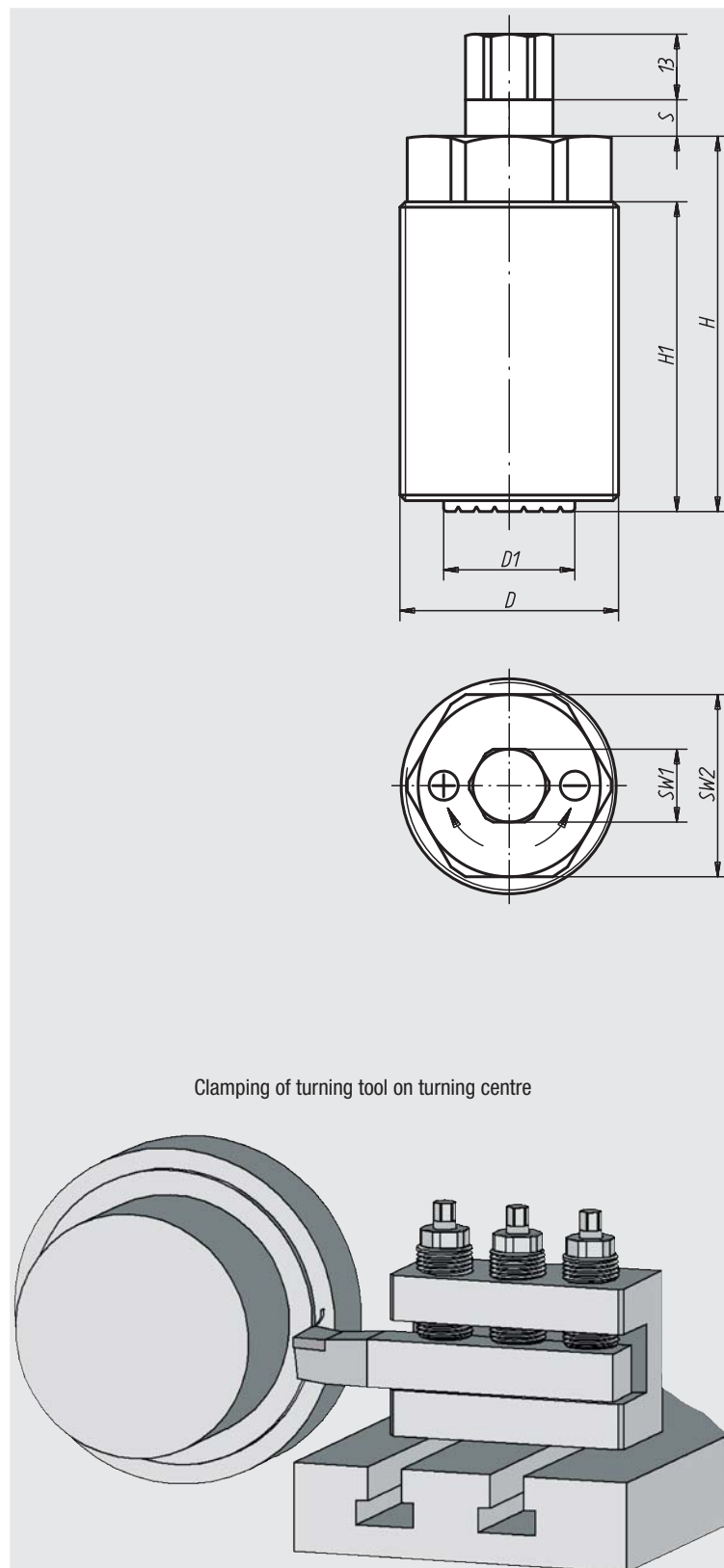


**Material:**  
Tempered steel

**Surface finish:**  
Black oxide finish

**Sample order:**  
nlm 04752-48

**Note:**  
The tightening screws are fitted with a patented wedge clamping system. This system allows the greatest clamping forces to be achieved at low torques with a simple manual operation. The wedge clamping system is self-limiting in every clamping position. A longer path can be quickly traversed via the external thread of the tightening screw before the wedge clamping system (stroke up to 2.2 mm) is used for clamping. Tightening screws are used for many purposes, primarily in moulding, stamping machines and machine tools, as well as in the construction of jigs and fixtures and equipment manufacture.



Order No.	D	D1	H	H1	S	SW1	SW2	max. clamping stroke	Nominal clamping force kN	Max. static stress kN	Max. tightening torque at SW1 Nm	Approx. weight kg
04752-36	M36x3	19	73	62	5	13	30	1,5	40	80	45	0,400
04752-48	M48x3	28	90	75	7,5	17	41	2,2	80	160	90	1,000