

Vertical, quick-acting clamps

with horizontal foot and full clamping lever

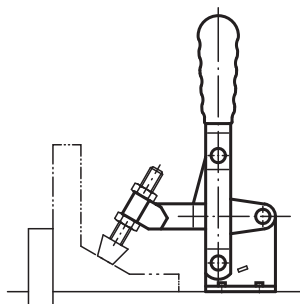
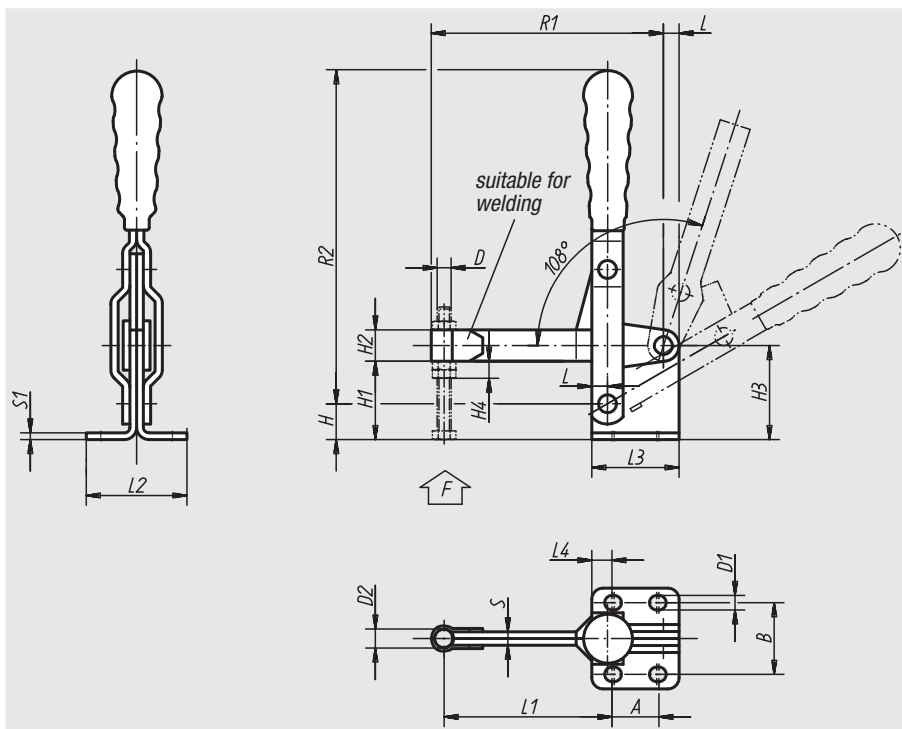


Material:
Sheet metal DD11 1.0332.

Surface finish:
Steel parts galvanised,
axial bolts tempered,
plastic handle oil-resistant

Sample order:
nlm 05020-101

Note:
Bolts are not supplied.
See 05200 – 05280 for accessories.



Order No.	L	L1	L2	L3	L4	B	H	H1	H2	H3	H4	A	A	D	D1	D2	R1	R2	S	S1	F	Plastic grips	Approx. weight kg
												min.	max.										
05020-081	7	75	45	39	9	32	16	35	14	42	12	19	21	M8	6,5	8,5	103	143	6	3	2,2	05200-115	0,320
05020-101	8	92	56	43	7,5	38	20	39	18	48	16	26	28	M10	8,5	10,5	125	177	7	3,5	3,4	05200-120	0,450
05020-121	10	122	68	50	9	45	25	45	22	56	19	32	32	M12	8,5	12,5	159	215	8	4	4,5	05200-135	0,935