

Hook clamps

and latch bracket



Material:

Lever, foot and brace: Sheet metal DD11 1.0332;
axial bolts and hooks: 1.0501 tempered steel

Surface finish:

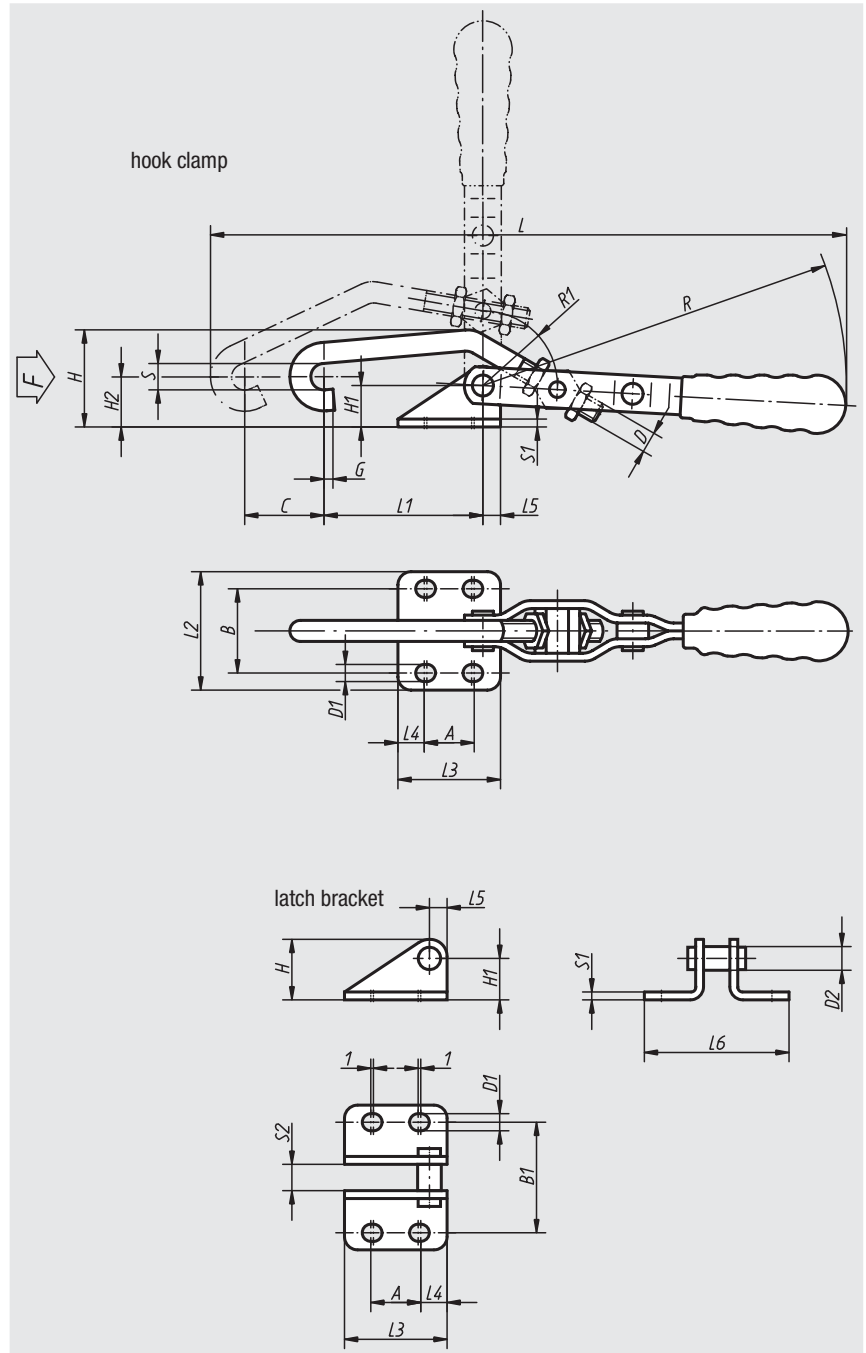
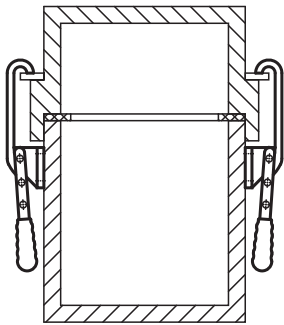
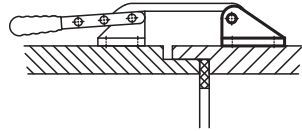
Steel parts galvanised,
axial bolts and hooks tempered,
plastic handle oil-resistant

Sample order:

n1m 05080-01 (hook clamp)
05080-011 (latch bracket)

Note:

The hook clamp has to be rotated in order to change the position of the base plate.



Hook clamp

Order No.	L	L1	L2	L3	L4	L5	B	H	H1	H2	A min.	A max.	C	D	D1	G	R	R1	S	S1	F kN	Plastic grips	Approx. weight kg
05080-01	231	60	45	39	10	7	32	36	16	17	17	19	25	M8	6,5	3	151	29	10	3	1	05200-115	0,230
05080-03	349	90	68	50	9	10	45	64	30	31	30	32	30	M12	8,5	5	215	36,5	14	4	3	05200-135	0,500

latch bracket

Order No.	L3	L4	L5	L6	B1	H	H1	A min.	A max.	D1	D2	S1	S2	Approx. weight kg
05080-011	39	10	7	55	42	23	16	17	19	6,5	9	3	10	0,090
05080-031	50	9	10	82	59	40	30	30	32	8,5	13	4	14	0,120

01000 02000 03000 04000 05000 06000 07000 08000 09000 20000 21000 22000 23000