

Horizontal, quick-acting clamps

with horizontal foot

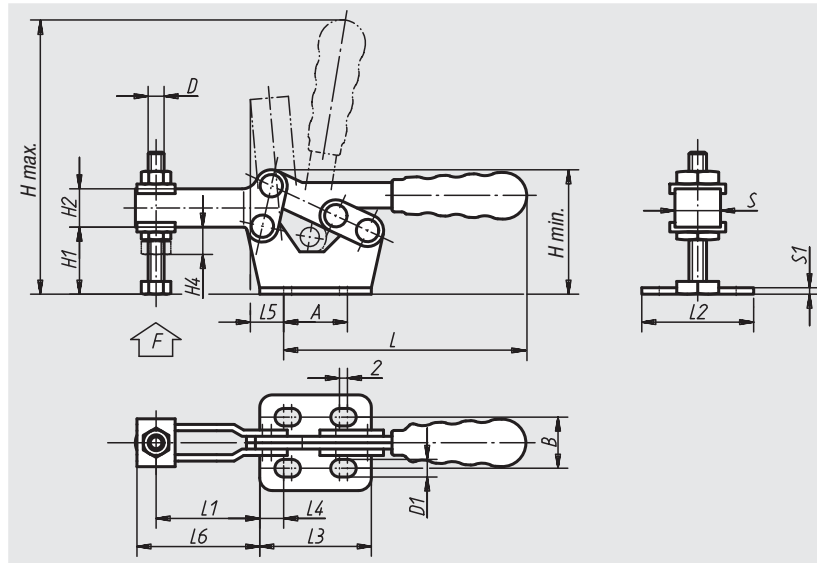
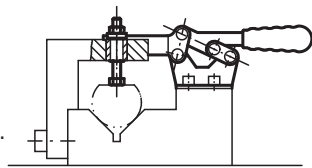


Material:
Sheet metal DD11 1.0332.

Surface finish:
Steel parts galvanised,
axial bolts tempered,
plastic handle oil-resistant

Sample order:
nlm 05120-10

Note:
See 05200 – 05280 for accessories.



Order No.	L	L1 min.	L1 max.	L2	L3	L4	L5	L6	B	H min.	H max.	H1	H2	H4	A min.	A max.	D	D1	S	S1	F kN	Plastic grips	Approx. weight kg
05120-05	76	12	32,5	30	35	7,5	9,5	39	16	39	91	20	12	10	16	20	M5x35	5,5	11	2	0,8	05200-200	0,095
05120-06	106	15,5	46	35,5	45	8,5	11,5	53,5	22	53	130	30	14	11	24	28	M6x48	5,5	14	3	1	05200-205	0,200
05120-08	140	19,5	61	40,5	55,5	14	19	71	24	67	165	40	16	14	24	28	M8x60	7	16	3	2,3	05200-210	0,360
05120-10	172	33	84	61	65,5	10,5	20	96,5	42	85	200	50	20	18	40	44	M10x70	9	19	3,5	3,5	05200-215	0,510
05120-12	215	31	104	64,5	80	18,5	25,5	119	42	99	250	60	24	21	40	44	M12x80	9	22	4	4,6	05200-220	0,790

Horizontal, quick-acting clamps

large version

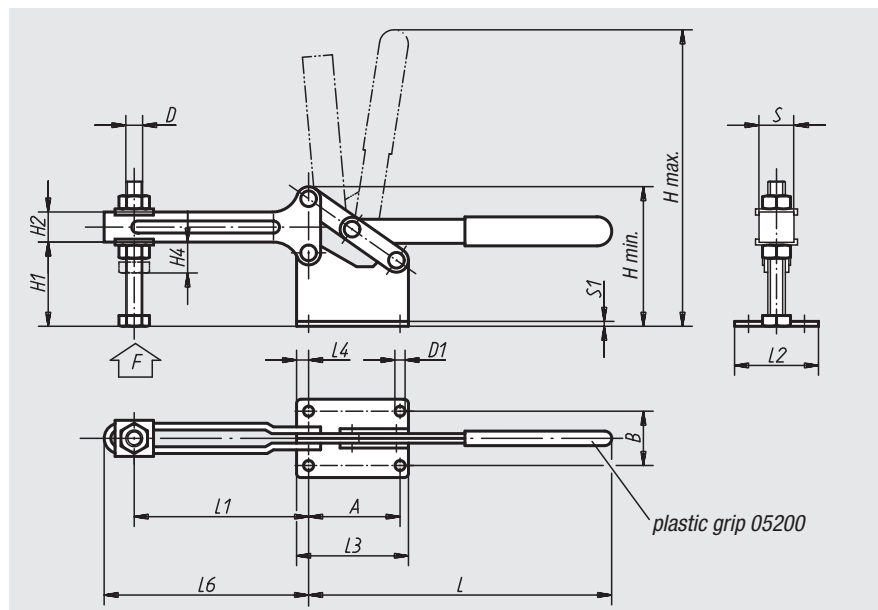
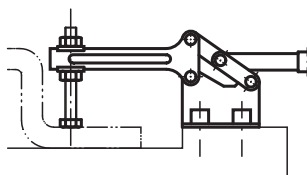


Material:
Sheet metal DD11 1.0332.

Surface finish:
Steel parts galvanised,
axial bolts tempered,
plastic handle oil-resistant

Sample order:
nlm 05120-14

Note:
See 05200 – 05280 for accessories.



Order No.	L	L1 max.	L1 min.	L2	L3	L4	L6	B	H min.	H max.	H1	H2	H4	A	D	D1	S	S1	F kN	Plastic grips	Approx. weight kg
05120-14	252	145	45	65	96	10	160	45	116	310	70	25	21	76	M14x90	9	24	4	4,5	05200-145	1,460
05120-16	325	205	55	85	132	15	225	55	173	425	110,5	35	27	102	M16x140	12,5	39	5	6	05200-140	3,510