

Quick-acting clamps with push-rod

for pressure and tension, console

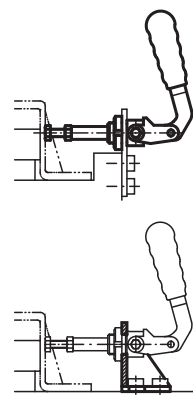
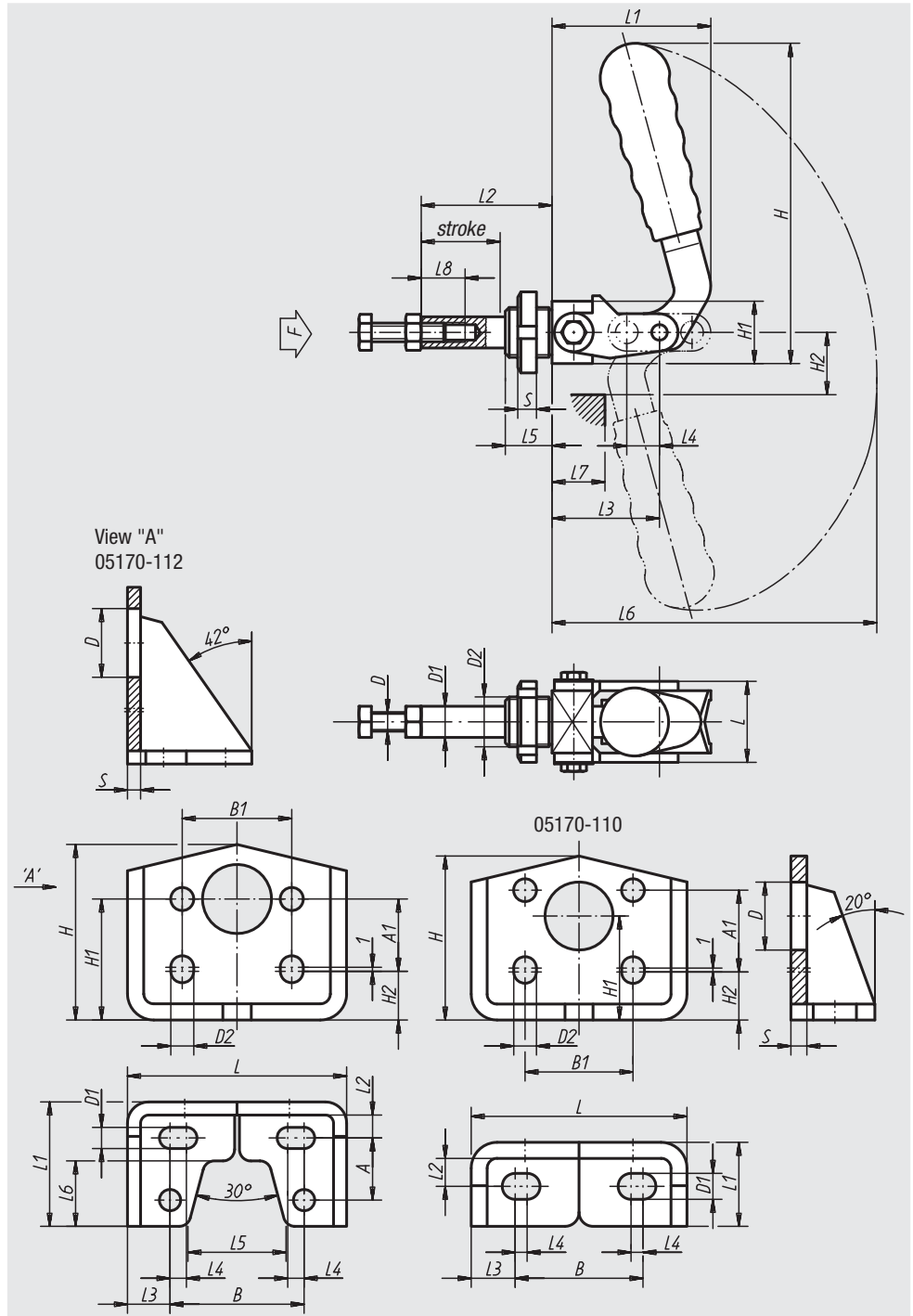


Material:
Body and push-rod: 1.0501 tempered steel; levers: Sheet metal DD11 1.0332.

Surface finish:
Body and lever parts galvanised; axial bolts tempered; plastic handle oil-resistant.

Sample order:
nlm 05170-012 (quick-acting clamp)
05170-110 (console)

Note:
The clamp can be bolted into jigs with a mounting bracket or with its end thread.



Quick-acting clamp

Order No.	L	L1	L2	L3	L4	L5	L6	L7	L8	H	H1	H2	D	D1	D2	Stroke	S	F kN	Plastic grips	Approx. weight kg
05170-010	26	52	42	34	13	15	130	18	20	101	20	20	M6x30	10	M16x1,5	26	6	1	05200-205	0,200
05170-012	32	75	60	50	20	18	170	30	30	139	25	28	M8x40	12	M20x1,5	40	8	1,5	05200-120	0,420
05170-016	40	105	92	78	35	20	213	60	35	155	32	44	M10x50	16	M27x1,5	70	8	3,5	05200-135	0,850

Console

Order No.	L	L1	L2	L3	L4	L5	L6	B	B1	H	H1	H2	A	A1	D	D1	D2	S	corresponding quick-acting clamp	Approx. weight kg
05170-110	54	21	7	11	3	-	-	32	27	42,5	26	14	-	14	17	6,5	5,5	4	05170-010	0,100
05170-112	67	38	7	13	5	30	20	41	32	55	37	16	19	21	21	6,5	6,5	4	05170-012	0,210

01000
02000
03000
04000
05000
06000
07000
08000
09000
20000
21000
22000
23000