

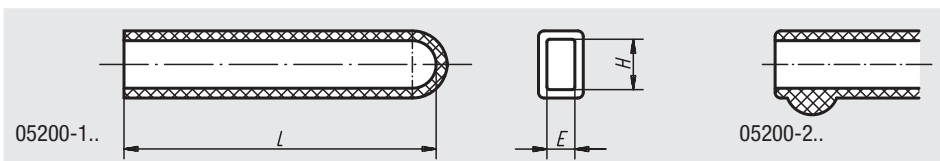
## Plastic grips



**Material:**  
Plastic

**Surface finish:**  
Oil-resistant

**Sample order:**  
nlm 05200-130 (with boss)  
05200-210 (without boss)



Order No.	L	H	E	Approx. weight g
05200-100	33	9	4	3
05200-105	43	11	6	4
05200-110	55	12	5	5
05200-115	55	14	6	6
05200-120	75	16	7	10
05200-125	90	16	4	12
05200-130	85	19	6	15
05200-135	90	20	8	15
05200-140	115	30	9	35
05200-145	120	20	8	30
05200-200	33	8	4	3
05200-205	48	12	6	3
05200-210	65	14	6	5
05200-215	90	16	7	10
05200-220	120	20	8	20

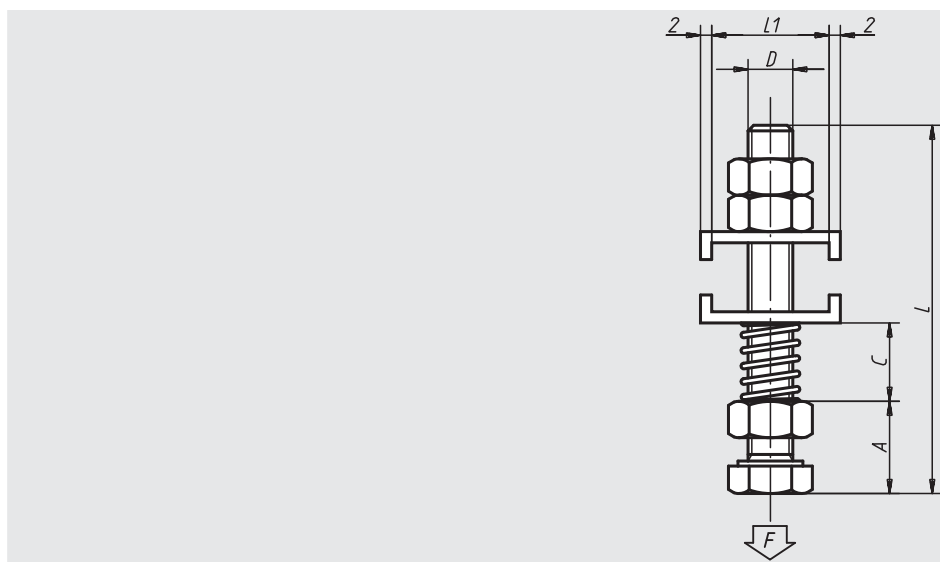
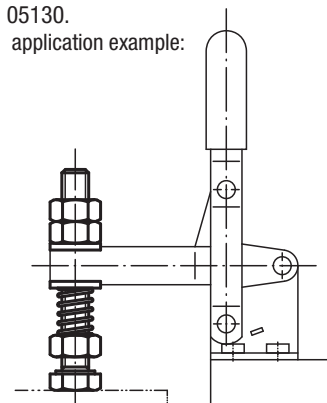
## Spring-mounted pressure spindles



**Material:**  
Screw and clamping plates in galvanized steel,  
Nut in steel with black oxide finish,  
Spring: spring wire class C.

**Sample order:**  
nlm 05220-10

**Note:**  
For use with 05020, 05040, 05060, 05120 and  
05130.  
application example:



Order No.	L	L1	D	A	C min.	C max.	F max. N	Approx. weight kg
05220-08	65,5	16	M8x60	12	9	30	25	0,150
05220-10	87,5	20,5	M10x80	15	14	35	35	0,170