

Pressure bolts

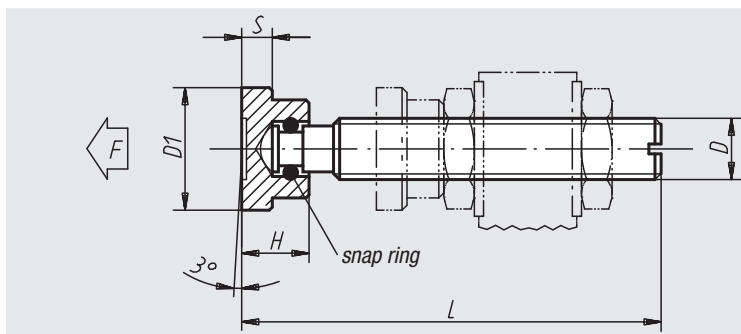
with thrust member



Material:
Bolt and thrust member: free-cutting steel

Surface finish:
Bolt: black;
thrust member: black oxide finish;
bolt pin and thrust member: case-hardened

Sample order:
nlm 05240-10X63



Order No.	L	H	D	D1	S	F max. kN
05240-06X	32/37/42/52	7	M6	12	2,5	1
05240-08X	38/43/48/53/63	9	M8	16	4	2,3
05240-10X	53,5/58,5/63,5/68,5/83,5	11	M10	20	5	3,5
05240-12X	64,5/69,5/74,5/84,5/104,5	13	M12	25	6	4,6
05240-16X	70,3/75,3/85,3/105,3/130,3	15	M16	32	7	6

Pressure bolts

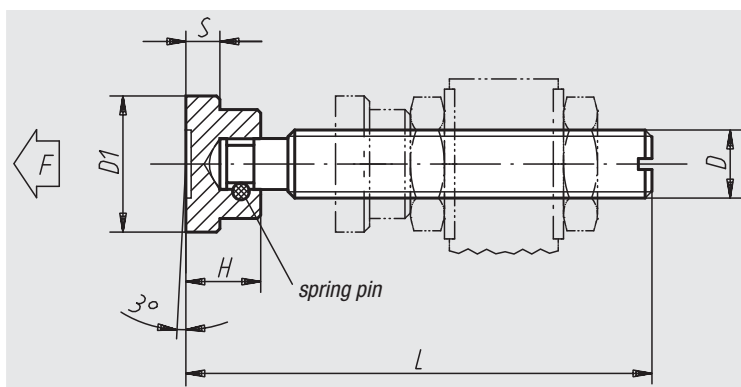
with thrust member



Material:
Bolt and thrust member: free-cutting steel

Surface finish:
Bolt: black;
thrust member: black oxide finish;
bolt pin and thrust member: case-hardened

Sample order:
nlm 05241-10X84



Order No.	L	H	D	D1	S	F max. kN	Approx. weight kg
05241-06X52	52	7	M6	12	2,5	1	0,015
05241-08X63	63	9	M8	16	4	2,3	0,032
05241-10X84	84	11	M10	20	5	3,5	0,060
05241-12X104	104	13	M12	25	6	4,6	0,110
05241-14X105	105	14	M14	28	6	5	0,140
05241-16X130	130	15	M16	32	7	6	0,230