

Push-rod pneumatic clamps



Material:

Base in cast iron;
levers and push-rod in tempered steel

Surface finish:

Body: painted; bracket, levers and push-rod galvanised and passivated

Sample order:

nIm 05340-07

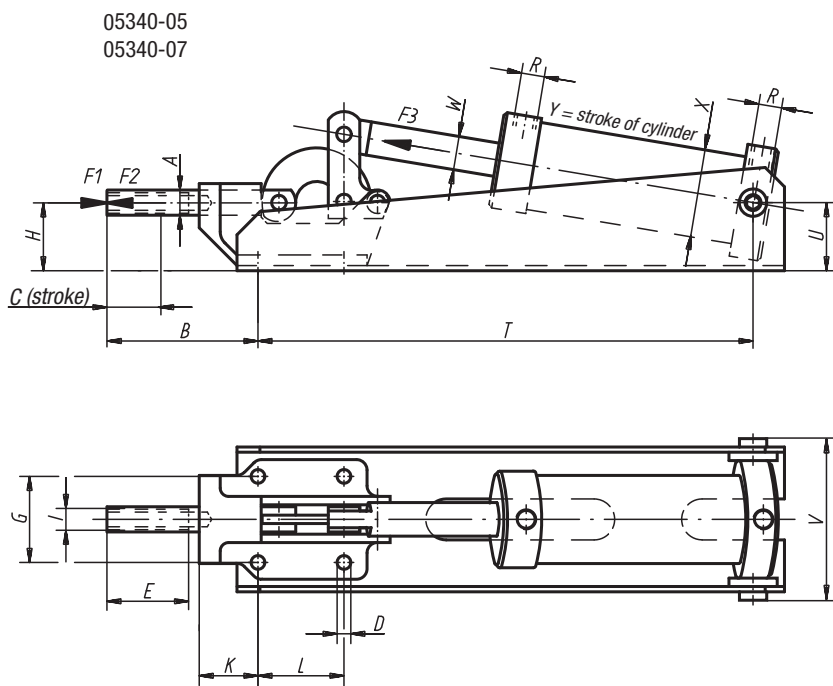
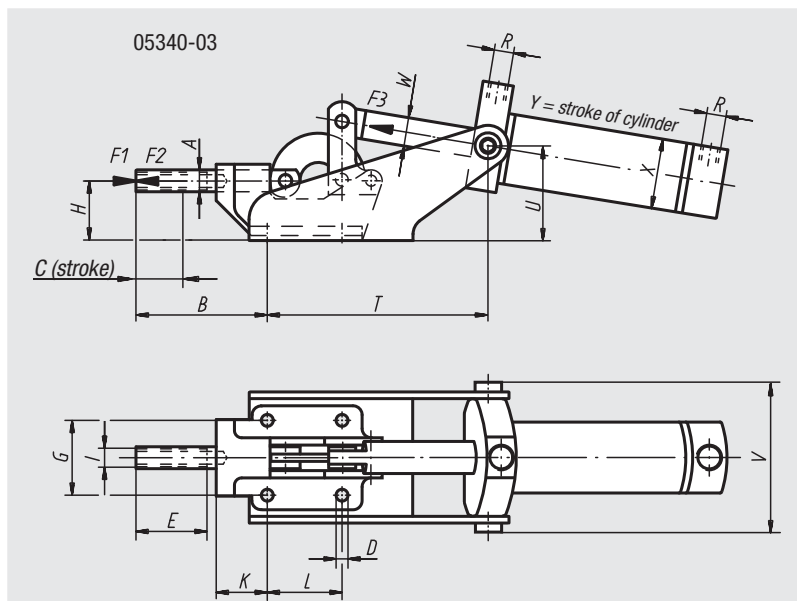
Note:

The pneumatic clamp can be used as a pressure and tension clamp. The heavy design as well as the dual effect RATCHET pneumatic cylinder guarantee a long life. The galvanised and passivated press-on bolt with protective cap is also supplied.

VL = compressed air consumption per complete cycle in dm³ at 6 bar.

Attention:

The forces F1 specified in the table are holding forces; F2 are clamping forces.



Order No.	A	B	C (stroke)	D	E	G	H	I	K	L	T	U	V	W
05340-03	12	72	20	6,5	30	41	33	M8	28	41	125	56	84	16
05340-05	16	97	32	8,5	50	41	41	M12	45	41	322	38	84	16
05340-07	22	105	40	11	50	57	59	M12	44	70	404	49	114	16

Order No.	X	Y	R	F1 kN	F2 kN	F3 kN	VL	total height	total length	suitable Pressure screws	Approx. weight kg
05340-03	40	62	G1/8	4	2,5	0,75	0,8	91	328	M8x35	1,800
05340-05	50	100	G1/8	10	5	1	2,2	110	437	M12x50	3,400
05340-07	63	125	G1/4	25	10	1,8	4,5	150	533	M12x50	7,680