

# Fasteners, adjustable

with a movable hook clamp



## Material:

Steel or stainless steel 1.4301

## Surface finish:

Galvanized and blue chromated;  
stainless steel natural finish

## Sample order:

nIm Fastener 05550-1421121

Clamp 05550-9135211

## Note:

Adjustable fasteners serve as a safe sealing system for industrial applications. The clamping stroke exceeds the dead centre point which makes them vibration proof. In order to compensate the tolerances the fastener has a movably mounted hook clamp.

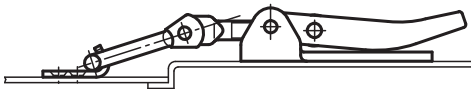
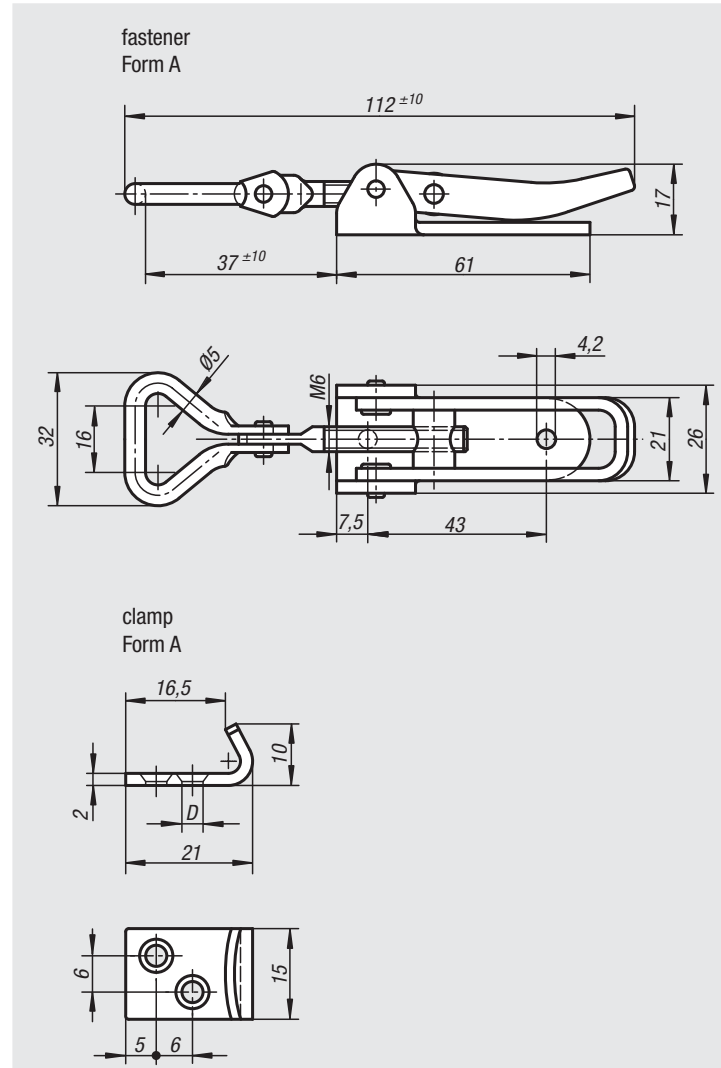
After the hook clamp is hooked into the clamp, straining the handle can pull the parts to be clamped together by up to 15 mm. In order to compensate the tolerances or to create enough tension the hook clamp can be adjusted by means of a spindle (M6).

The fasteners can be screwed on or rivetted.

Please order clamps separately.

## On request:

Available with protection against dehiscing.



## Fasteners Adjustable with a movable hook clamp

Order No. steel	Order No. stainless steel	Form	Holding force F1 N
05550-1421121	05550-1421122	A	1000

## Clamp

Order No.	Material	Form	D
05550-9135211	steel	A	3,5
05550-9135212	stainless steel	A	4,2