

Fasteners adjustable



Material:

Steel or stainless steel 1.4301

Surface finish:

Galvanized and blue chromated;
stainless steel natural finish

Sample order:

nIm Fastener 05552-1611451
Clamp 05552-9143381

Note:

Adjustable fasteners serve as a safe sealing system for industrial applications. The clamping stroke exceeds the dead centre point which makes them vibration proof.

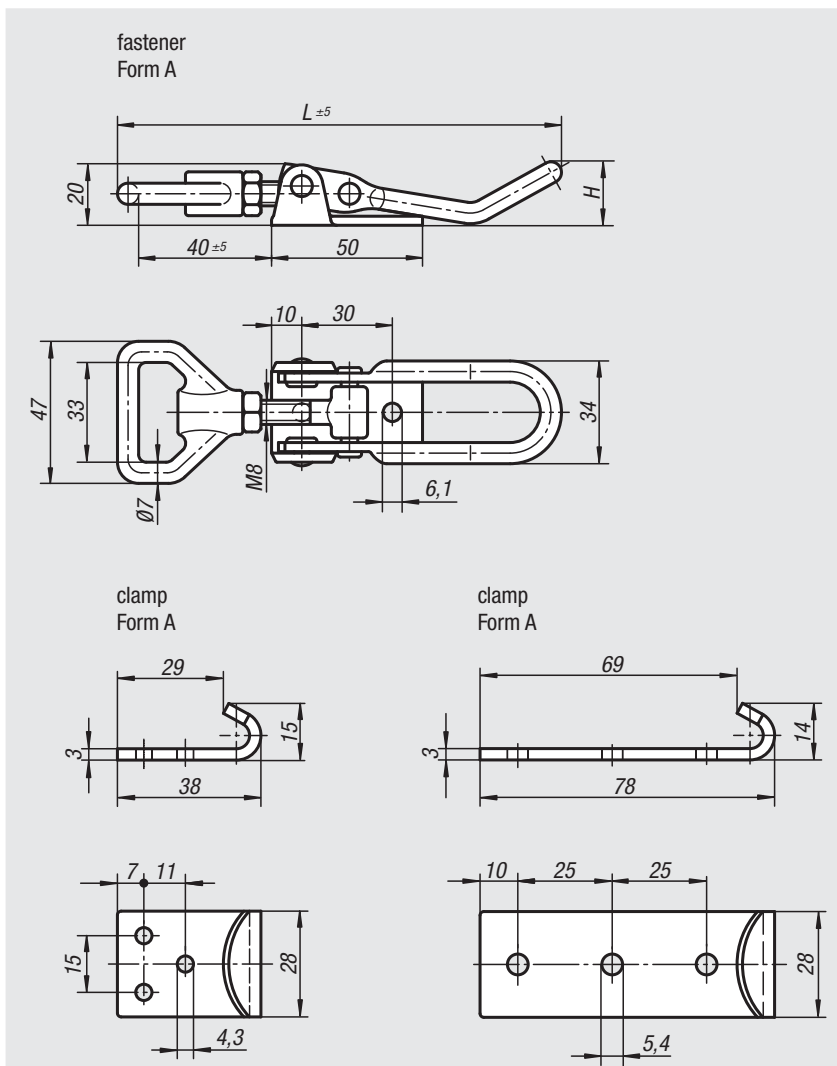
After the hook clamp is hooked into the clamp, straining the handle can pull the parts to be clamped together by up to 15 mm. In order to compensate the tolerances or to create enough tension the hook clamp can be adjusted by means of a spindle (M8).

The fasteners can be screwed on or rivetted.

Please order the desired version of the clamp separately.

On request:

Lockable version with a lock bracket.



Fasteners adjustable

Order No. steel	Order No. stainless steel	Form	H	L	Holding force F1 N
05552-1611451	05552-1611452	A	21	145	6500
05552-1611681	05552-1611682	A	36	168	6500

Clamp

Order No. steel	Order No. stainless steel	Form
05552-9143381	05552-9143382	A
05552-9254781	05552-9254782	B