

Fasteners, adjustable

heavy-duty version



Material:
Steel

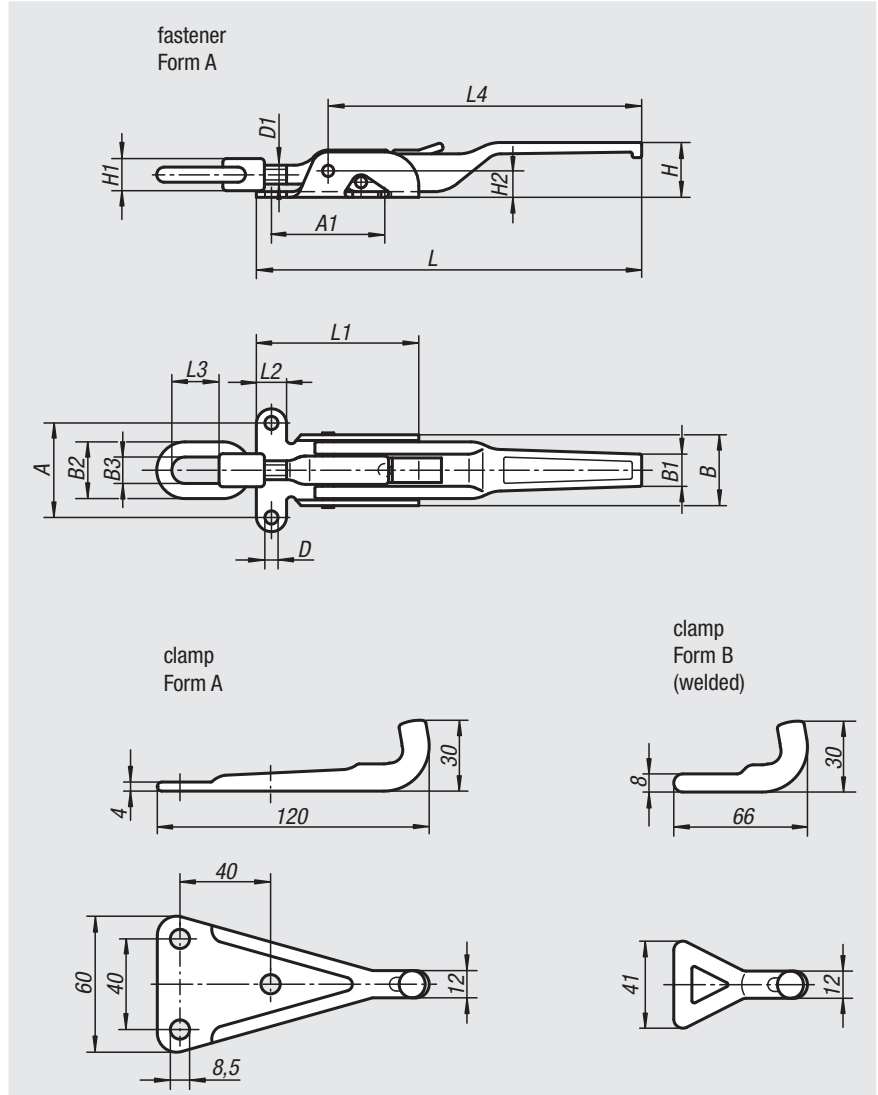
Surface finish:
Galvanized and blue chromated;
clamp Form B (welded), natural finish

Sample order:
nlm Fastener 05560-1702041
Clamp 05560-91851201

Note:
Massive forged fasteners for heavy tensile load which are primarily used in utility vehicles and agricultural engine construction as well as in construction vehicles. In the locked state the fastener is secured against unintended release by means of a notch.

In order to compensate the tolerances or to create enough tension the hook clamp can be adjusted by means of a spindle (D1).

Please order the desired version of the clamp separately.



Fasteners Adjustable, heavy-duty version

Order No.	Form	A	A1	B	B1	B2	B3	D	D1	H	H1	H2	L	L1	L2	L3	L4	Holding force F1 N	Approx. weight kg
05560-1702041	A	50	62	37	18	30	14	7	M10	30	17	14	204	86	16	25	165	40000	0,490
05560-1852371	A	65	82	50	20	36	15	8,5	M14x1,5	32	20	18	237	104	21	40	190	40000	1,020

Clamp

Order No.	Form	Approx. weight kg
05560-91851201	A	0,190
05560-92000601	B	0,085

01000
02000
03000
04000
05000
06000
07000
08000
09000
20000
21000
22000
23000