

# Push-pull clamps

heavy-duty version with handle

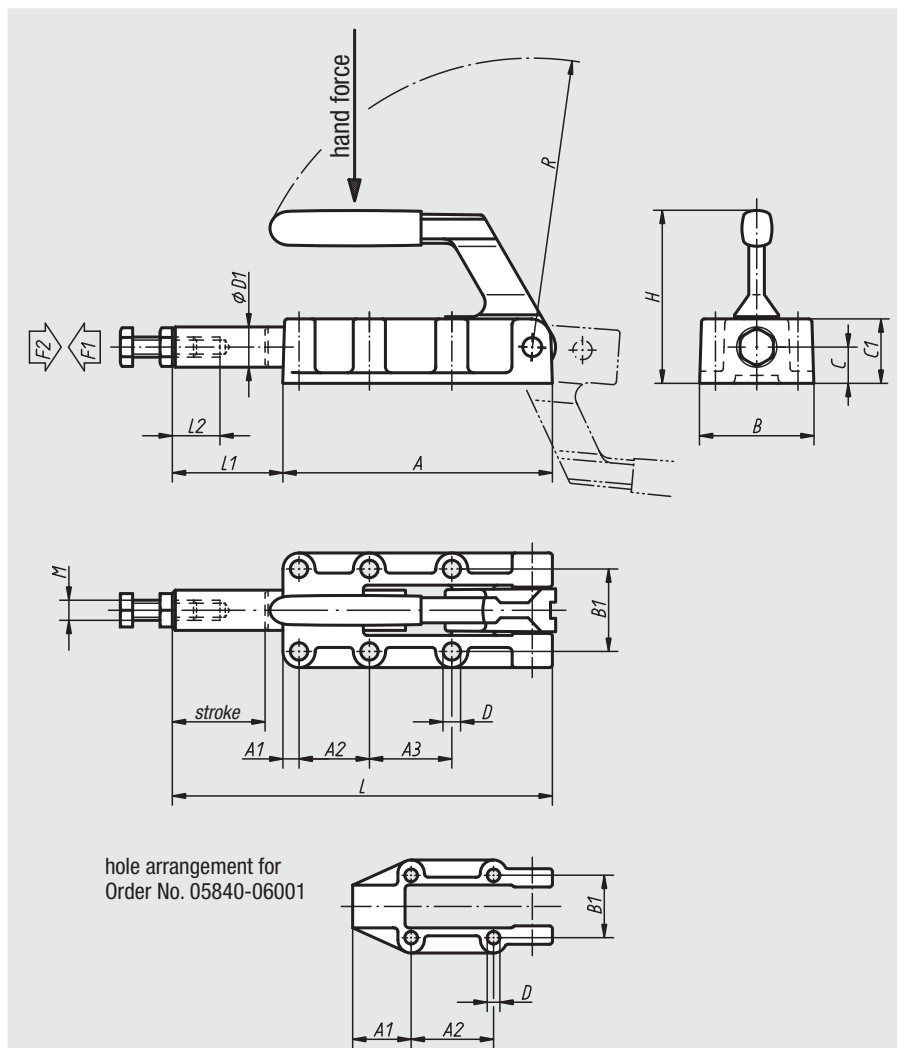


**Material:**  
Steel;  
body and handle in spheroidal graphite cast iron (GJS)

**Surface finish:**  
Phosphated, plastic handle oil-resistant

**Sample order:**  
nlm 05840-25001

**Note:**  
The Push-Pull clamps can be locked in open and closed handle positions. Therefore they can be used for push and pull.  
The clamps are also equipped with a stroke limiter for advance and retraction strokes.



Order No.	Opening angle of handle	Hand force N	Holding force F2 N	Clamping force F1 N	Approx. weight kg
05840-06001	185°	140	6000	3000	0,484
05840-12001	185°	150	12000	5000	1,400
05840-25001	185°	170	25000	5000	3,766
05840-50001	185°	200	50000	7000	6,254

Order No.	A	A1	A2	A3	B	B1	C	C1	D	D1	H	L	L1	L2	M	R	Stroke
05840-06001	89	25	36,5	-	46	33,4	12	23	5,5	14	63	127	38	30	M8	95	32
05840-12001	133	8	35	41	61	41	18	32	8,5	20	88	188	55	40	M10	143	50
05840-25001	197	11	45	45	82	54	22	41	10,3	25	108	300	103	60	M12	200	75
05840-50001	254	10	70	70	85	57	28	50	10,3	30	127	390	136	60	M16	245	100

01000  
02000  
03000  
04000  
05000  
06000  
07000  
08000  
09000  
20000  
21000  
22000  
23000