

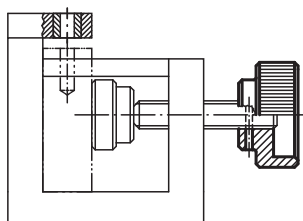
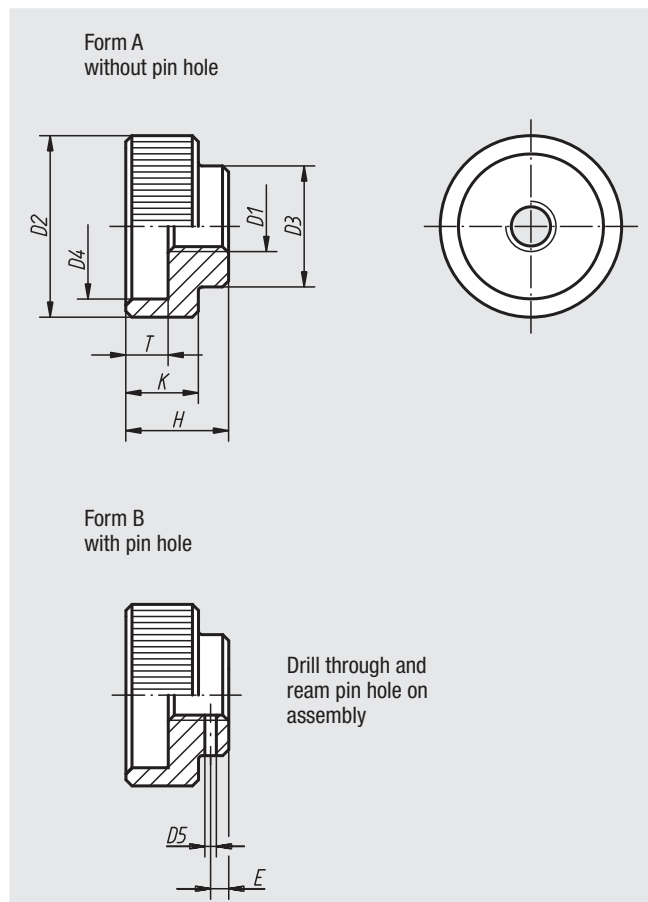
Knurled nuts

in steel and stainless steel, DIN 6303



Material, surface finish:
Free-cutting steel black oxide finish.
Stainless steel, natural finish.

Sample order:
nlm 06010-108



Order No.	Form	Material	D1	D2	D3	D4	D5 predrilled	E	H	K	T	suitable cylindrical pin ISO 2338	Approx. weight g
06010-105	A	steel	M5	20	14	15	-	-	12	8	5	-	16
06010-106	A	steel	M6	24	16	18	-	-	14	10	6	-	27
06010-108	A	steel	M8	30	20	24	-	-	17	12	7	-	50
06010-110	A	steel	M10	36	28	30	-	-	20	14	8	-	83
06010-112	A	steel	M12	40	32	34	-	-	24	16	10	-	123
06010-1052	A	stainless steel	M5	20	14	15	-	-	12	8	5	-	16
06010-1062	A	stainless steel	M6	24	16	18	-	-	14	10	6	-	27
06010-1082	A	stainless steel	M8	30	20	24	-	-	17	12	7	-	50
06010-1102	A	stainless steel	M10	36	28	30	-	-	20	14	8	-	83
06010-1122	A	stainless steel	M12	40	32	34	-	-	24	16	10	-	123
06010-205	B	steel	M5	20	14	15	1,4	2,5	12	8	5	1,5 m6 x 14	16
06010-206	B	steel	M6	24	16	18	1,4	2,5	14	10	6	1,5 m6 x 16	27
06010-208	B	steel	M8	30	20	24	1,9	3	17	12	7	2 m6 x 20	50
06010-210	B	steel	M10	36	28	30	2,9	4	20	14	8	3 m6 x 28	83
06010-212	B	steel	M12	40	32	34	3,9	4	24	16	10	4 m6 x 32	123