

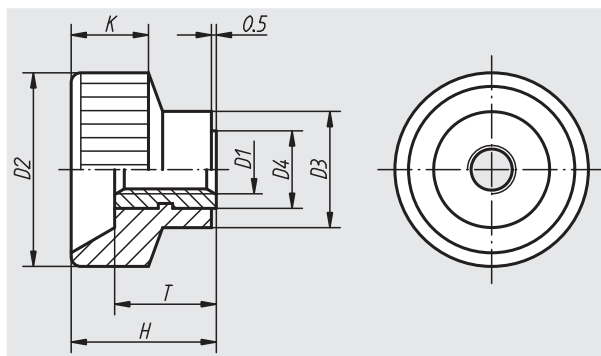
Plastic knurled nuts



Material:
Black duroplastic PF 31.
Threaded bush in brass.

Surface finish:
Threaded bush nickel-plated.

Sample order:
nlm 06013-08



Order No.	D1	D2	D3	D4	H	K	T	Approx. weight g
06013-04	M4	18	10	7	13	8	9	4
06013-05	M5	20	12	8	14	8	10	6
06013-06	M6	24	13	9	16	9	10	7
06013-08	M8	30	15	11	18	11	11	13
06013-10	M10	35	18	14	19	12	11	18

Quick-acting knurled nuts

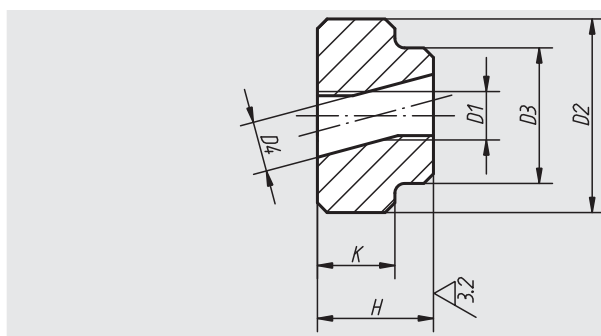
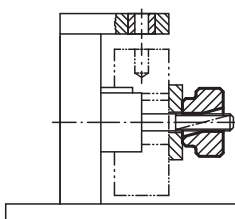


Material:
Tempered steel.

Surface finish:
Heat-treated and black oxide finish.

Sample order:
nlm 06030-08

Note:
Quick-acting knurled nuts are mainly used in applications where no high clamping pressures are required. This function is achieved by means of a semilateral thread.



The threaded bolt should be several mm longer than height "H"

Order No.	D1	D2	D3	D4	H	K	Approx. weight g
06030-05	M5	20	14	5,2	12	8	25
06030-06	M6	24	16	6,2	14	10	38
06030-08	M8	30	20	8,2	17	12	75
06030-10	M10	36	28	10,3	20	14	130
06030-12	M12	40	32	12,3	24	16	185