

High knurled thumb screws

in steel and stainless steel, DIN 464



Material, surface finish:

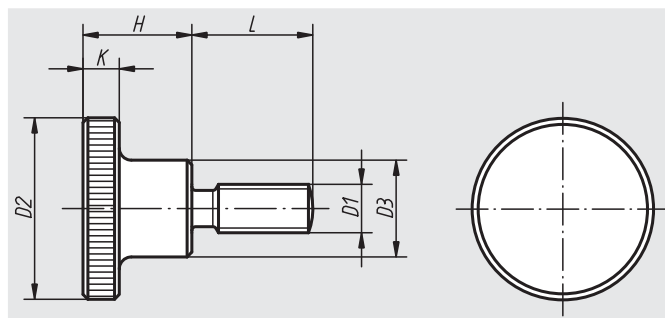
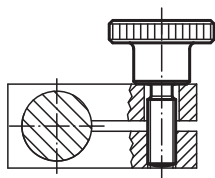
Free-cutting steel black oxide finish.
Stainless steel, natural finish.

Sample order:

nIm 06090-06X20 (please also indicate dimension L)

Note:

* The knurled thumb screw is supplied with shaft in this length (no thread undercut).



Order No. steel	Order No. stainless steel	D1	D2	D3	L	H	K
06090-04X	06090-042X	M4	16	8	10/16/20*	9,5	3,5
06090-05X	06090-052X	M5	20	10	10/16/20*	11,5	4
06090-06X	06090-062X	M6	24	12	10/16/20/25*	15	5
06090-08X	06090-082X	M8	30	16	16/20/25/30*	18	6
06090-10X	06090-102X	M10	36	20	20/25/30/40*	23	8

Plastic knurled thumb screws



Material:

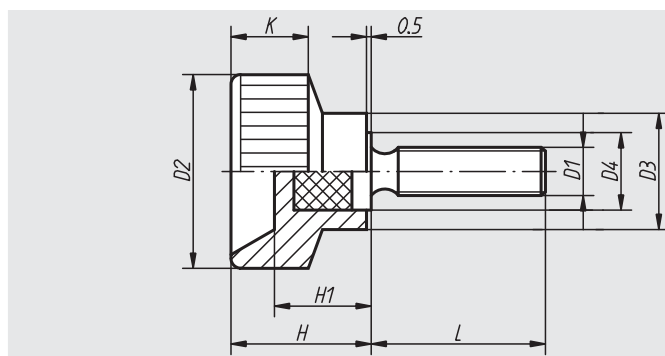
Black Duroplast PF 31.
Stud, steel.

Surface finish:

Threaded bolt galvanized.

Sample order:

nIm 06091-05X25 (please also indicate dimension L)



Order No.	L	D1	D2	D3	D4	H	H1	K
06091-04X	15/20	M4	18	10	7	13,5	9	8
06091-05X	10/18/25	M5	20	12	8	14,5	10	8
06091-06X	20/28	M6	24	13	10	15	9,5	9
06091-08X	25/32	M8	30	15	12	18	11	11
06091-10X	30	M10	35	18	14	18,5	11	12