

# Graduated knobs



**Material, surface finish:**

Anthracite grey thermoplastic.  
Steel parts blue chromated.

**Sample order:**

nIm 06100-11055 (knob cap colour light grey)

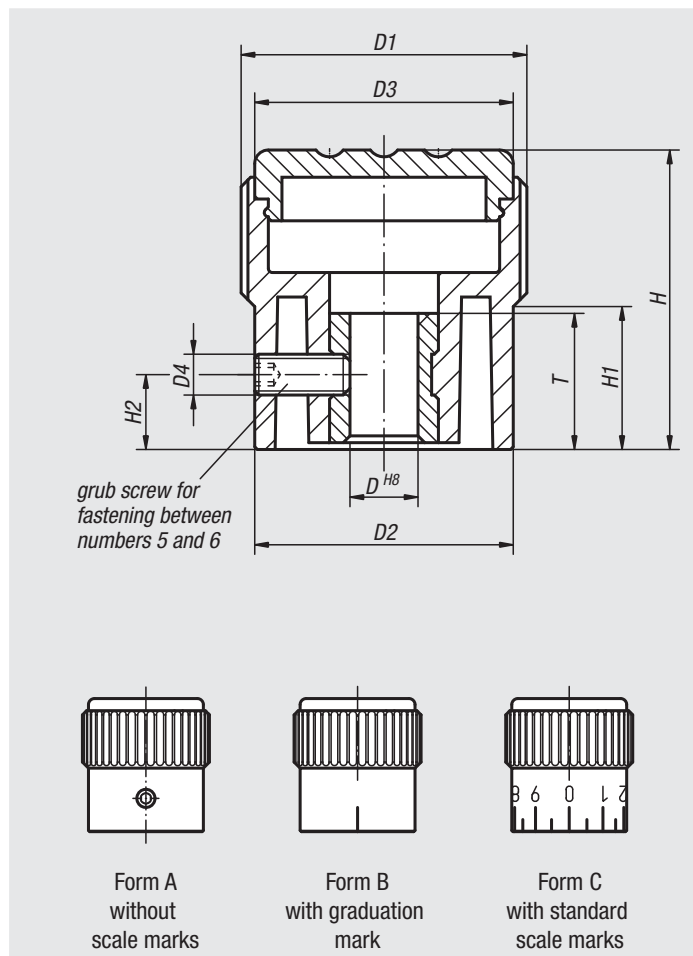
**Note:**

Available without scale marks, with one graduation mark or with 20 scale marks and 10 digits.

Δ Add the desired knob cap colour here; no colour code is required with anthracite grey knob caps.

**On request:**

Special scale marks.



Order No.	Form	Size	D	D1	D2	D3	D4	H	H1	H2	T	Approx. weight kg
06100-1105Δ	A	1	5	21	19	19	M3	22	10,5	5	10	0,011
06100-1206Δ	A	2	6	26	23	23	M3	26	12	6	10	0,023
06100-1308Δ	A	3	8	34	31	31	M4	36	17,5	7	14	0,032
06100-2105Δ	B	1	5	21	19	19	M3	22	10,5	5	10	0,011
06100-2206Δ	B	2	6	26	23	23	M3	26	12	6	10	0,023
06100-2308Δ	B	3	8	34	31	31	M4	36	17,5	7	14	0,032
06100-3105Δ	C	1	5	21	19	19	M3	22	10,5	5	10	0,011
06100-3206Δ	C	2	6	26	23	23	M3	26	12	6	10	0,023
06100-3308Δ	C	3	8	34	31	31	M4	36	17,5	7	14	0,032