

Adjusting knobs



Material, surface finish:

Knurled knob in anthracite grey thermoplastic.
Disc in black anodized aluminium.

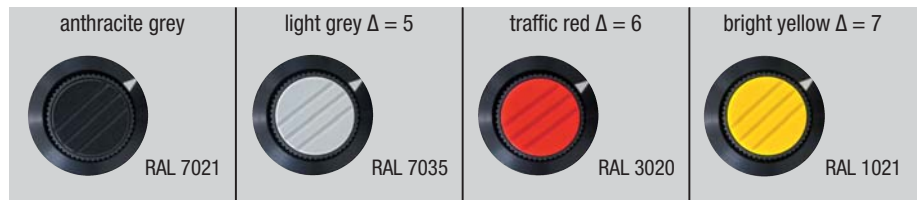
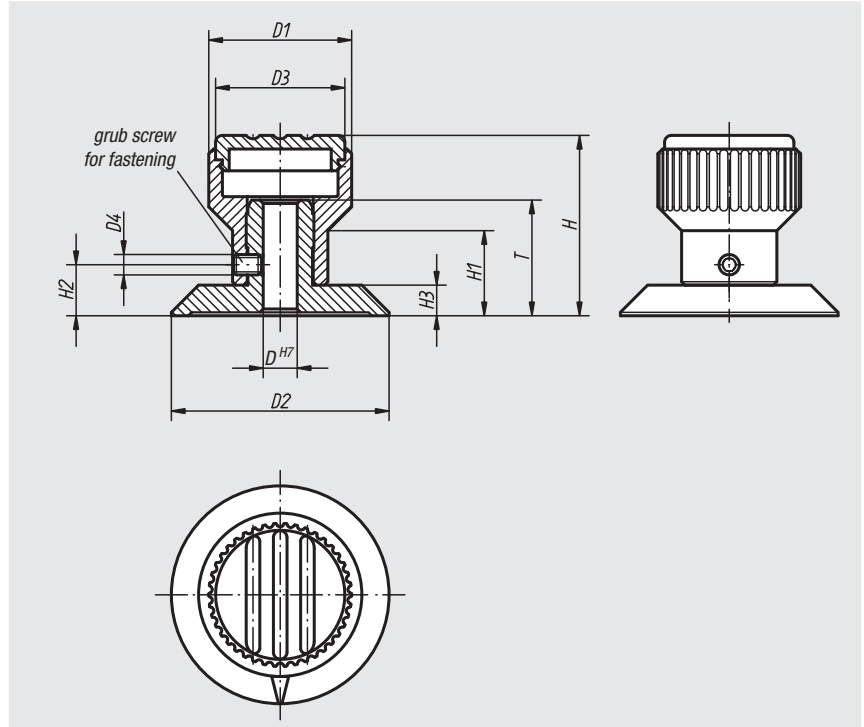
Sample order:

nIm 06105-1055 (knob cap colour light grey)

Note:

Arrow mark engraved after anodizing, the grub screw secures both the hub and the disc. Hub hole H7 guarantees a good, tight fit on the shaft.

Δ Add the desired knob cap colour here; no colour code is required with anthracite grey knob caps.



Order No.	Size	D	D1	D2	D3	D4	H	H1	H2	H3	T	Approx. weight kg
06105-105Δ	1	5	21	32	19	M3	26,5	12,5	7,5	4,5	17	0,010
06105-206Δ	2	6	26	40	23	M4	31,5	15	9,5	5,5	20,5	0,021
06105-308Δ	3	8	34	52	31	M4	43	20	12	7	22	0,026

01000
02000
03000
04000
05000
06000
07000
08000
09000
20000
21000
22000
23000