

Butterfly heads

for hexagon socket screw



Material:

Thermoplastic.

Surface finish:

Black, grey or red.

Sample order:

nIm 06133-0506 (butterfly head colour red)

Colour code:

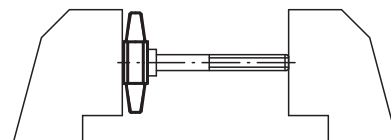
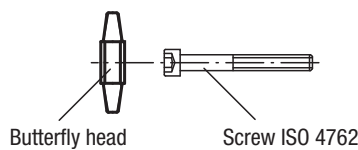
5 = grey

6 = red

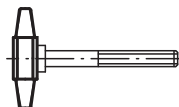
Note:

Suitable screws ISO 4762.

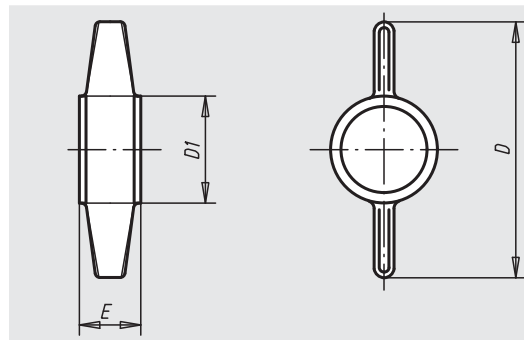
Δ Add the desired butterfly head colour here; no colour code is required with black butterfly head.



Fit the screw in the head



Butterfly head with screw



Order No.	D	D1	E	for hexagon socket screw	Approx. weight kg/100
06133-050	26	12	6,6	M5	0,104
06133-060	30	13,5	7,8	M6	0,130
06133-080	38	16,5	10	M8	0,290
06133-100	45	20	12,5	M10	0,405

Disc grips

for hex sockets screw



Material:

Thermoplastic

Surface finish:

Black or grey

Sample order:

nIm 06134-0805 (disc grip colour grey)

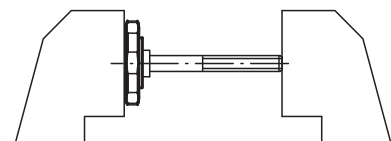
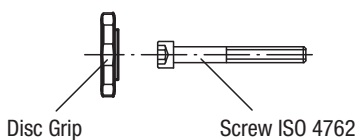
Colour Code:

5 = grey

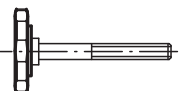
Note:

Suitable screws see ISO 4762.

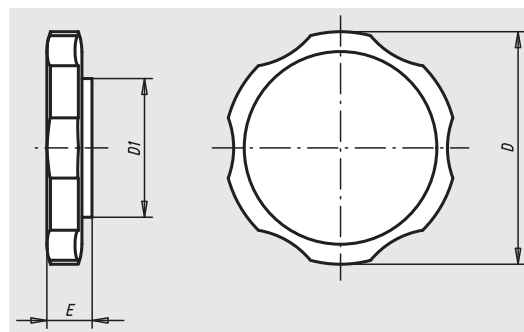
Δ Add the desired disc grip colour here; no colour code is required with black disc grip



Fit the screw in the head



Disc Grip with screw



Order No.	D	D1	E	for hexagon socket screw	Approx. weight kg
06134-060Δ	38	13	9,7	M6	0,565
06134-080Δ	38	16	10	M8	0,650
06134-100Δ	38	19,5	12,5	M10	0,780