

Pad screws

with fixed or movable spindle, DIN 6304 or DIN 6306

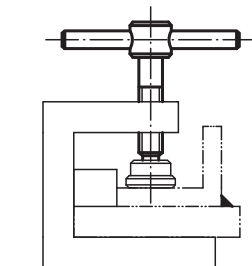
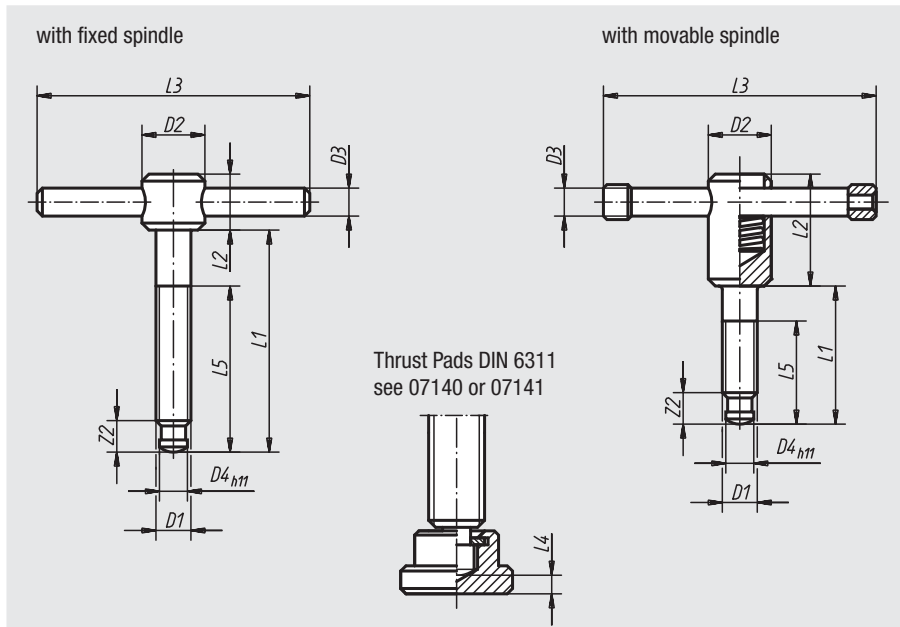


Material:
Steel

Surface finish:
Black oxide finish; pad hardened

Sample order:
nlm 06150-116X90

Note:
Pad screws with movable spindle have a moving spindle that is held by a compression spring in each desired position. Stop-rings are used to limit the movement. For fixed spindles, the spindle is press fitted.



Order No.	Surface finish	L1	D1	D2	D3	D4	L2	L3	L4	L5	Z2	Approx. weight kg
06150-106X40	fixed spindle	40	M6	12	5	4,5	10	50	2,2	30	6	0,021
06150-106X50	fixed spindle	50	M6	12	5	4,5	10	50	2,2	40	6	0,023
06150-108X50	fixed spindle	50	M8	14	6	6	12	60	3	35	7,5	0,040
06150-108X60	fixed spindle	60	M8	14	6	6	12	60	3	45	7,5	0,045
06150-110X60	fixed spindle	60	M10	18	8	8	14	80	3,6	40	9	0,080
06150-110X70	fixed spindle	70	M10	18	8	8	14	80	3,6	50	9	0,085
06150-112X70	fixed spindle	70	M12	20	10	8	18	100	4,5	50	10	0,140
06150-112X80	fixed spindle	80	M12	20	10	8	18	100	4,5	60	10	0,145
06150-116X75	fixed spindle	75	M16	24	12	12	20	120	5,3	55	12	0,260
06150-116X90	fixed spindel	90	M16	24	12	12	20	120	5,3	70	12	0,285
06150-116X110	fixed spindle	110	M16	24	12	12	20	120	5,3	90	12	0,310
06150-120X75	fixed spindle	75	M20	30	16	15,5	28	140	5,6	55	14	0,470
06150-120X90	fixed spindle	90	M20	30	16	15,5	28	140	5,6	70	14	0,500
06150-120X110	fixed spindle	110	M20	30	16	15,5	28	140	5,6	90	14	0,540
06150-210X40	movable spindle	40	M10	18	8	8	32	80	3,6	30	9	0,093
06150-210X50	movable spindle	50	M10	18	8	8	32	80	3,6	40	9	0,097
06150-212X50	movable spindle	50	M12	20	10	8	35	100	4,5	40	10	0,160
06150-212X60	movable spindle	60	M12	20	10	8	35	100	4,5	50	10	0,165
06150-216X55	movable spindle	55	M16	24	13	12	40	120	5,3	45	12	0,300
06150-216X70	movable spindle	70	M16	24	13	12	40	120	5,3	60	12	0,320
06150-216X90	movable spindle	90	M16	24	13	12	40	120	5,3	80	12	0,350
06150-220X55	movable spindle	55	M20	30	16	15,5	45	140	5,6	45	14	0,520
06150-220X70	movable spindle	70	M20	30	16	15,5	45	140	5,6	60	14	0,550
06150-220X90	movable spindle	90	M20	30	16	15,5	45	140	5,6	80	14	0,590