

Palm grips

in stainless steel, similar to DIN 6335



Material:

Stainless steel 1.4308.

Surface finish:

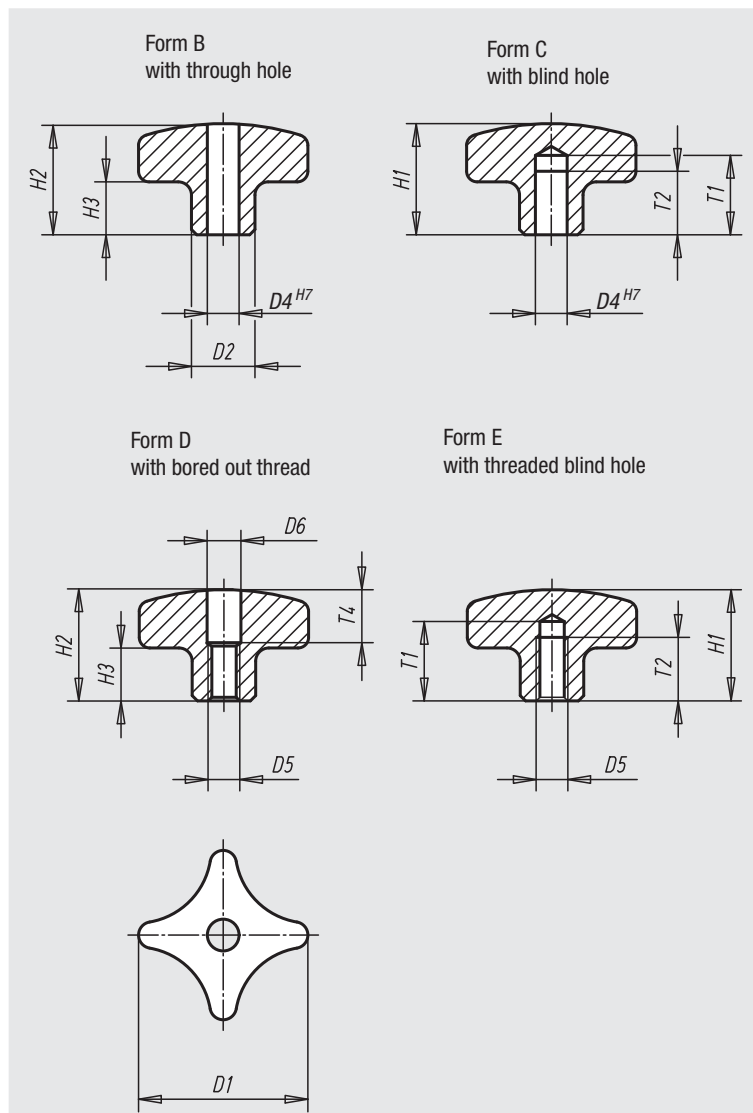
Ground and polished.

Sample order:

nIm 06158-2032062

On request:

Palm grips in stainless steel with external thread.



Order No. Form B	Order No. Form C	Surface finish	D1	D2	D4	H1	H2	H3	T1	T2
06158-2032062	06158-3032062	polished	32	12	6	-/21	20/-	10	-/15	-/12
06158-2040082	06158-3040082	polished	40	14	8	-/26	25/-	13	-/18	-/15
06158-2050102	06158-3050102	polished	50	18	10	-/34	32/-	17	-/21	-/18
06158-2063122	06158-3063122	polished	63	20	12	-/42	40/-	21	-/25	-/22

Order No. Form D	Order No. Form E	Surface finish	D1	D2	D5	D6	H1	H2	H3	T1	T2	T4
06158-4032062	06158-5032062	polished	32	12	M6	6,4/-	-/21	20/-	10	-/15	-/12	10/-
06158-4040082	06158-5040082	polished	40	14	M8	8,4/-	-/26	25/-	13	-/18	-/15	12/-
06158-4050102	06158-5050102	polished	50	18	M10	10,5/-	-/34	32/-	17	-/21	-/18	16/-
06158-4063122	06158-5063122	polished	63	20	M12	13/-	-/42	40/-	21	-/25	-/22	20/-