

Star grips

in stainless steel, similar to DIN 6336



Material:

Stainless steel 1.4308.

Surface finish:

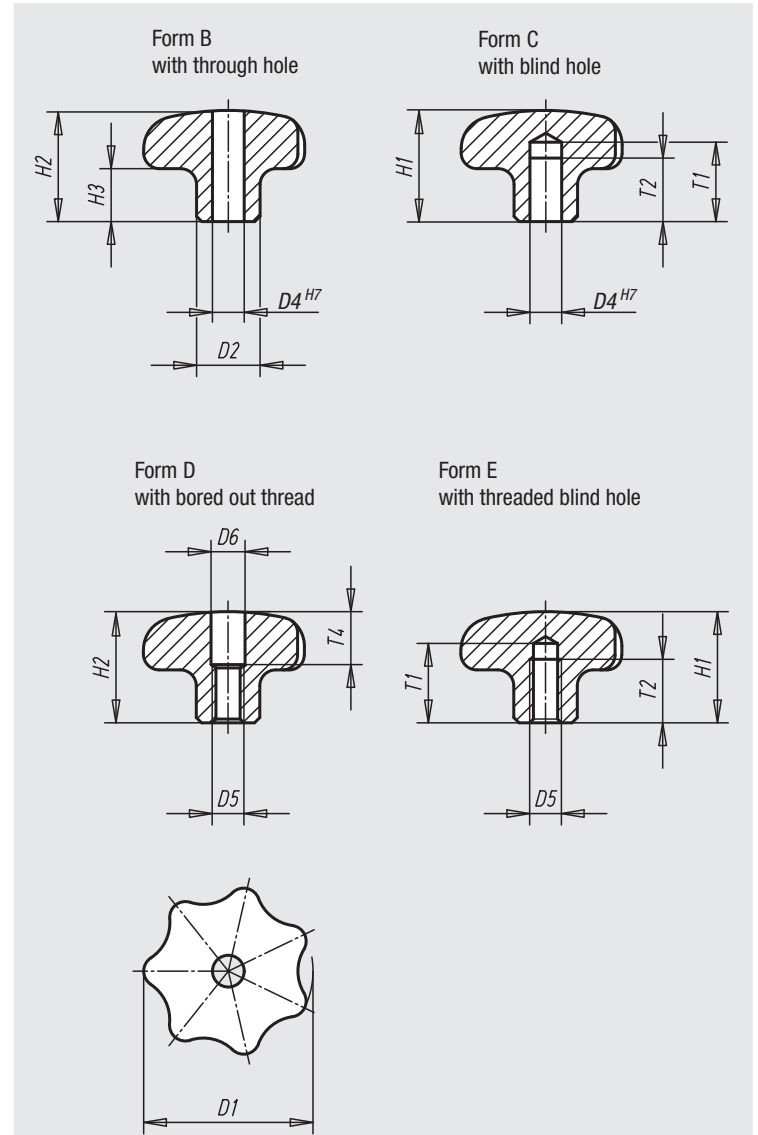
Ground and polished.

Sample order:

nln 06194-232062

On request:

Star grips in stainless steel with external thread.



Order No. Form B	Order No. Form C	Surface finish	D1	D2	D4	H1	H2	H3	T1	T2
06194-232062	06194-332062	polished	32	12	6	-/21	20/-	10	-/15	-/12
06194-240082	06194-340082	polished	40	14	8	-/26	25/-	13	-/18	-/15
06194-250102	06194-350102	polished	50	18	10	-/34	32/-	17	-/21	-/18
06194-263122	06194-363122	polished	63	20	12	-/42	40/-	21	-/25	-/22

Order No. Form D	Order No. Form E	Surface finish	D1	D2	D5	D6	H1	H2	H3	T1	T2	T4
06194-432062	06194-532062	polished	32	12	M6	6,4/-	-/21	20/-	10	-/15	-/12	10/-
06194-440082	06194-540082	polished	40	14	M8	8,4/-	-/26	25/-	13	-/18	-/15	12/-
06194-450102	06194-550102	polished	50	18	M10	10,5/-	-/34	32/-	17	-/21	-/18	16/-
06194-463122	06194-563122	polished	63	20	M12	13/-	-/42	40/-	21	-/25	-/22	20/-