

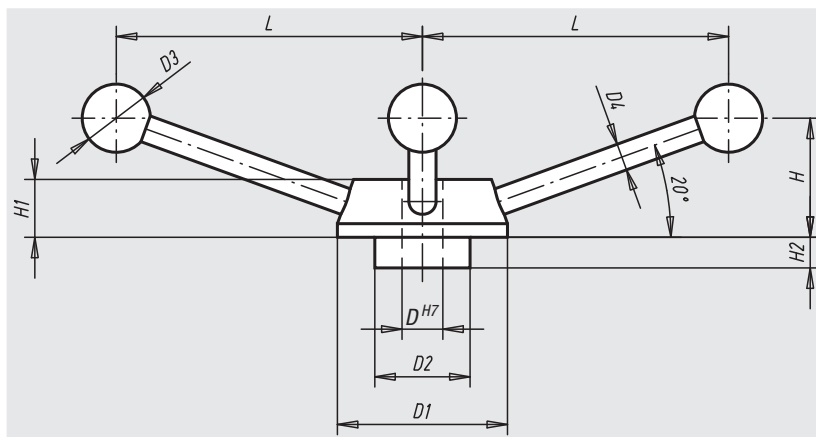
Capstan



Material:
Capstan steel;
Ball knob thermoplastic

Surface finish:
Capstan black oxide finish;
Ball knob black

Sample order:
nlm 06235-160



Order No.	D	D1	D2	D3	D4	H	H1	H2	L	Approx. weight kg
06235-120	12	50	28	20	8	35	17	9	90	0,360
06235-140	14	55	30	25	10	38	18	10	99	0,530
06235-160	16	65	35	30	12	45	20	12	119	0,840
06235-200	20	80	44	35	14	56	24	16	150	1,560

Notes

