

Grip balls



Material, surface finish:

Anthracite grey thermoplastic.

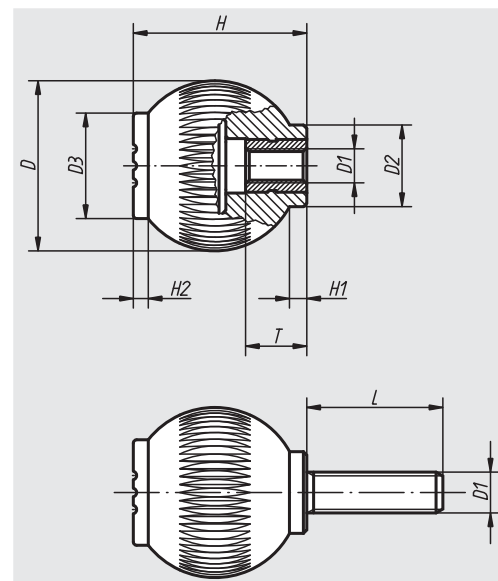
Bush and threaded bolt in steel 5.8, blue chromated or stainless steel, 1.4305 natural finish.

Sample order:

nIm 06245-1066X15 (grip cap colour traffic red; please also indicate dimension L)

Note:

Δ Add the desired grip cap colour here; no colour code is required with anthracite grey grip caps.



Order No. bush in steel	Order No. bush in stainless steel	Size	D	D1	D2	D3	H	H1	H2	T	Approx. weight kg
06245-106Δ	06245-0106Δ	1	25	M6	12	17	25	2,5	2,2	10	0,014
06245-208Δ	06245-0208Δ	2	32	M8	15,5	19	33	3,2	2,8	14	0,023
06245-310Δ	06245-0310Δ	3	40	M10	19	23	41,5	4	3,5	14	0,042
06245-410Δ	06245-0410Δ	4	50	M10	24	31	51	5	4,4	14	0,070
06245-412Δ	06245-0412Δ	4	50	M12	24	31	51	5	4,4	18	0,072

Order No. bolts steel	Order No. bolts stainless steel	Size	D	D1	D2	D3	H	H1	H2	L = screw length
06245-106ΔX	06245-0106ΔX	1	25	M6	12	17	25	2,5	2,2	15/20/25/30
06245-208ΔX	06245-0208ΔX	2	32	M8	15,5	19	33	3,2	2,8	20/25/30/40
06245-310ΔX	06245-0310ΔX	3	40	M10	19	23	41,5	4	3,5	20/30/40
06245-410ΔX	06245-0410ΔX	4	50	M10	24	31	51	5	4,4	20/30/40
06245-412ΔX	06245-0412ΔX	4	50	M12	24	31	51	5	4,4	20/30/40