

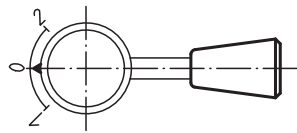
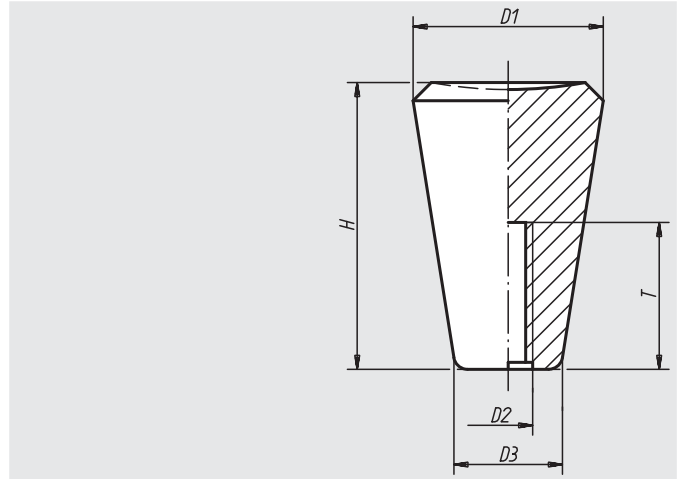
Tapered knobs



Material:
Black duroplastic PF 31

Surface finish:
pressed thread

Sample order:
nlm 06251-06



Order No.	D1	D2	D3	H	T	Approx. weight g
06251-05	20	M5	12	31	15	8
06251-06	25	M6	15	38	19	16
06251-08	30	M8	18	46	16	28
06251-10	35	M10	21	53	19	42

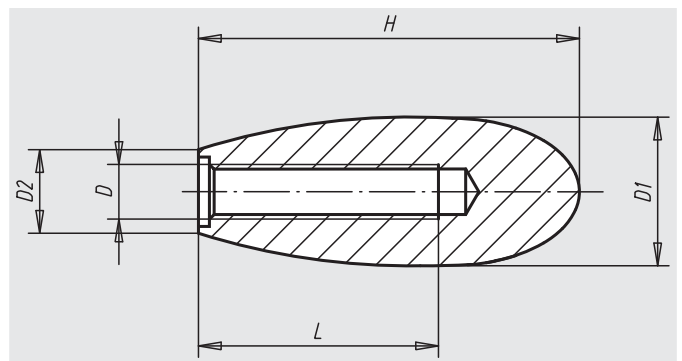
Conical knobs



Material:
Black duroplastic PF 31

Surface finish:
Deburred and high-polish finish

Sample order:
nlm 06252-120



Order No.	D	D1	D2	H	L min.	Approx. weight g
06252-050	M5	14	7	34	25	8
06252-080	M8	22	14	60	25	17
06252-100	M10	27	15,5	70	25	25
06252-120	M12	30	16	62	26	37
06252-160	M16	35	22	85	30	67