

# Clamp grips



**Material, surface finish:**

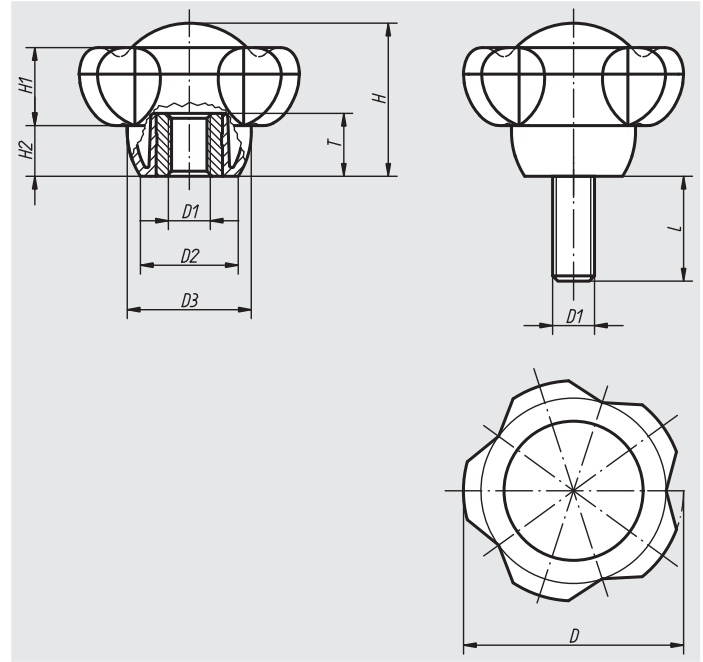
Anthracite grey thermoplastic.  
 Bush and threaded bolt in steel 5.8, blue chromated or in stainless steel 1.4305, natural finish.

**Sample order:**

nIm 06253-50106X30 (cap colour traffic red; please also indicate dimension L)

**Note:**

The screw lengths 15, 35 and 45 are not available in stainless steel.  
 Δ Add the desired grip cap colour here; no colour code is required with anthracite grey grip caps.



Order No. bush in steel	Order No. bush in stainless steel	D	D1	D2	D3	H	H1	H2	T	Approx. weight kg
06253-5008Δ	06253-50081Δ	50	M8	22,2	28,2	34,8	17,8	11,5	14	0,030
06253-5010Δ	06253-50101Δ	50	M10	22,2	28,2	34,8	17,8	11,5	14	0,020
06253-5012Δ	06253-50121Δ	50	M12	22,2	28,2	34,8	17,8	11,5	18	0,010
06253-6310Δ	06253-63101Δ	63	M10	28	35,5	44	22,5	14,5	14	0,070
06253-6312Δ	06253-63121Δ	63	M12	28	35,5	44	22,5	14,5	18	0,050
06253-6316Δ	-	63	M16	28	35,5	44	22,5	14,5	18	0,040

Order No. bolts steel	Order No. bolts stainless steel	D	D1	D2	D3	H	H1	H2	L = screw length
06253-5010ΔX	06253-50101ΔX	50	M10	22,2	28,2	34,8	17,8	11,5	15/20/25/30/35/40/45/50/60
06253-5012ΔX	-	50	M12	22,2	28,2	34,8	17,8	11,5	15/20/25/30/35/40/45/50/60
06253-6310ΔX	06253-63101ΔX	63	M10	28	35,5	44	22,5	14,5	20/25/30/35/40/45/50/60
06253-6312ΔX	-	63	M12	28	35,5	44	22,5	14,5	20/25/30/35/40/45/50/60

01000  
02000  
03000  
04000  
05000  
06000  
07000  
08000  
09000  
20000  
21000  
22000  
23000