

Fixed handles

similar DIN 39, in steel



Material:

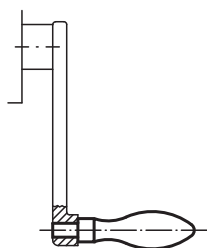
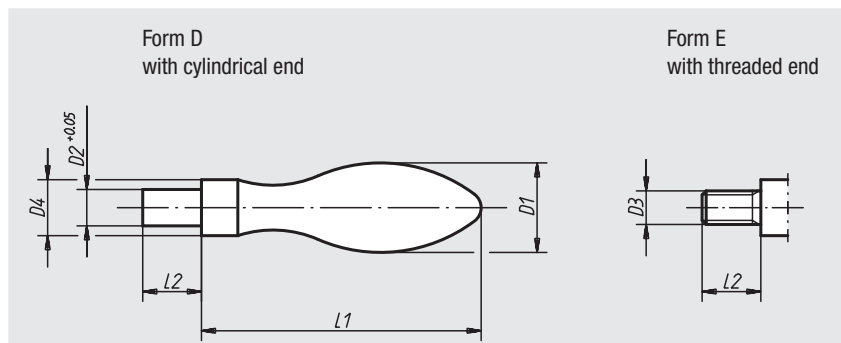
Steel

Surface finish:

Polished

Sample order:

nIm 06290-216



Order No. Form D	Order No. Form E	D1	D2	D3	D4	L1	L2	Approx. weight kg
06290-113	06290-213	13	5/-	-/M5	8	40	10	0,025
06290-116	06290-216	16	6/-	-/M6	10	50	13	0,040
06290-120	06290-220	20	8/-	-/M8	13	64	15	0,090
06290-125	06290-225	25	10/-	-/M10	16	80	18	0,175
06290-132	06290-232	32	12/-	-/M12	20	100	20	0,355

Fixed machine handles

DIN 39 form E, in steel



Material:

Machine handle and axle part in steel.

Surface finish:

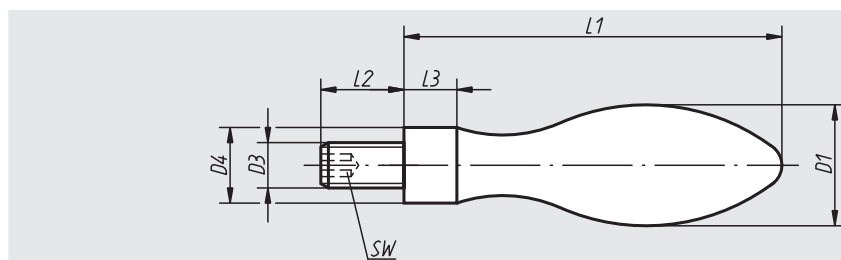
Machine handle and axle part galvanized and blue chromated.

Sample order:

nIm 06291-0616050

Note:

Machine handle suitable for handwheels DIN 950.



Order No.	D1	D3	D4	L1	L2	L3	SW
06291-0616050	16	M6	10	50	11	7	3
06291-0820064	20	M8	13	64	13	8	4
06291-1025080	25	M10	16	80	14	10	5
06291-1232100	32	M12	20	100	21	13	6
06291-1636112	36	M16	22	112	26	14	8