

Revolving machine handles

DIN 98 form E, in aluminium

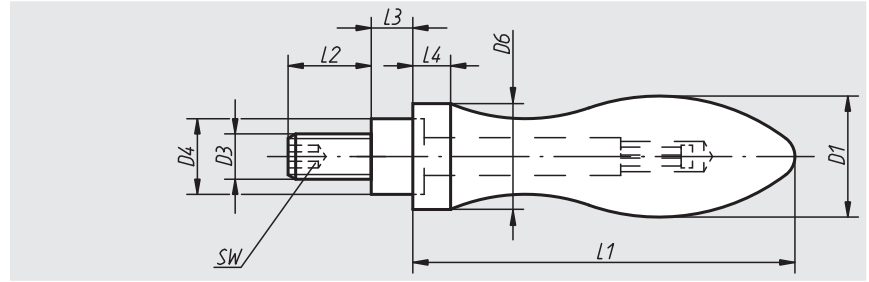


Material:
Machine handle in aluminium.
Axle part in steel.

Surface finish:
Machine handle polished.
Axle part galvanized and blue chromated.

Sample order:
nlm 06309-0616055

Note:
Machine handle suitable for handwheels
DIN 950.



Order No.	D1	D3	D4	D6	L1	L2	L3	L4	SW
06309-0616055	16	M6	10	14	49	11	5,5	5	3
06309-0820067	20	M8	13	18	61	13	6	6	4
06309-1025083	25	M10	16	21	75	14	8	6,5	5
06309-1232105	32	M12	20	26	95	21	10,5	8	6
06309-1636117	36	M16	22	29	106	26	11	9	8

Revolving handles

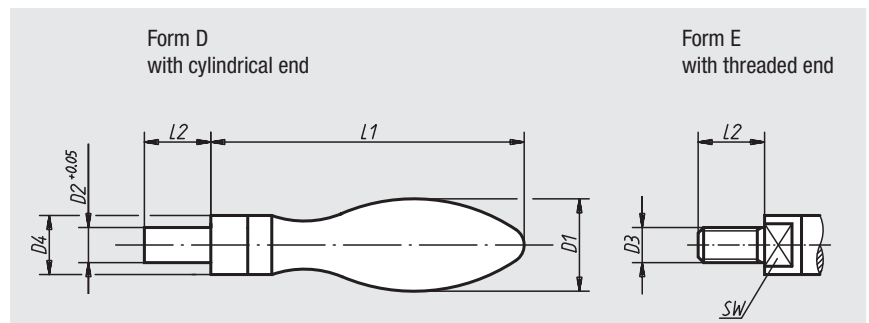
similar DIN 98, in steel



Material:
Steel

Surface finish:
Polished

Sample order:
nlm 06310-225



Order No. Form D	Order No. Form E	D1	D2	D3	D4	L1	L2	SW	Approx. weight kg
06310-116	06310-216	16	6/-	-/M6	10	53	13	-/8	0,050
06310-120	06310-220	20	8/-	-/M8	13	66	15	-/10	0,100
06310-125	06310-225	25	10/-	-/M10	16	85	18	-/13	0,190
06310-132	06310-232	32	12/-	-/M12	20	107	20	-/17	0,380

01000
02000
03000
04000
05000
06000
07000
08000
09000
20000
21000
22000
23000