

Cylindrical fold-away grips

**Material, surface finish:**

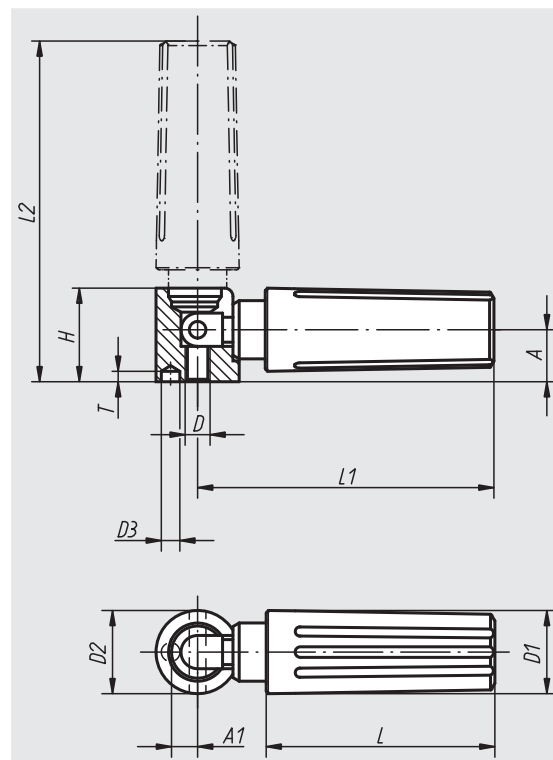
Anthracite grey thermoplastic.
Steel parts black oxide finish.

Sample order:

nIm 06326-104

Note:

Cylindrical grips are supplied assembled and can be screwed to handwheels, spools and cranks.
Borehole D3 is used as a positioning hole.



Order No.	Size	D	D1	D2	D3	A	A1	H	L	L1	L2	T	Approx. weight kg
06326-104	1	M4	13	13	2,5	8	4,3	14,5	35	47	54,5	4,5	0,028
06326-205	2	M5	16	16	3,5	10	5,3	18	44	58	67	4,5	0,051
06326-306	3	M6	20	20	4,5	12,5	6,5	22,5	55	71,5	82	6	0,101
06326-408	4	M8	25	26	5,5	16	9	29	70,5	98,5	112,5	6,5	0,225