

# Control handles



**Material:**

Steel parts quality class 5.8;  
black plastic ball knob

**Surface finish:**

Black oxide finish

**Sample order:**

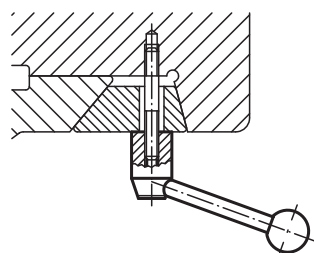
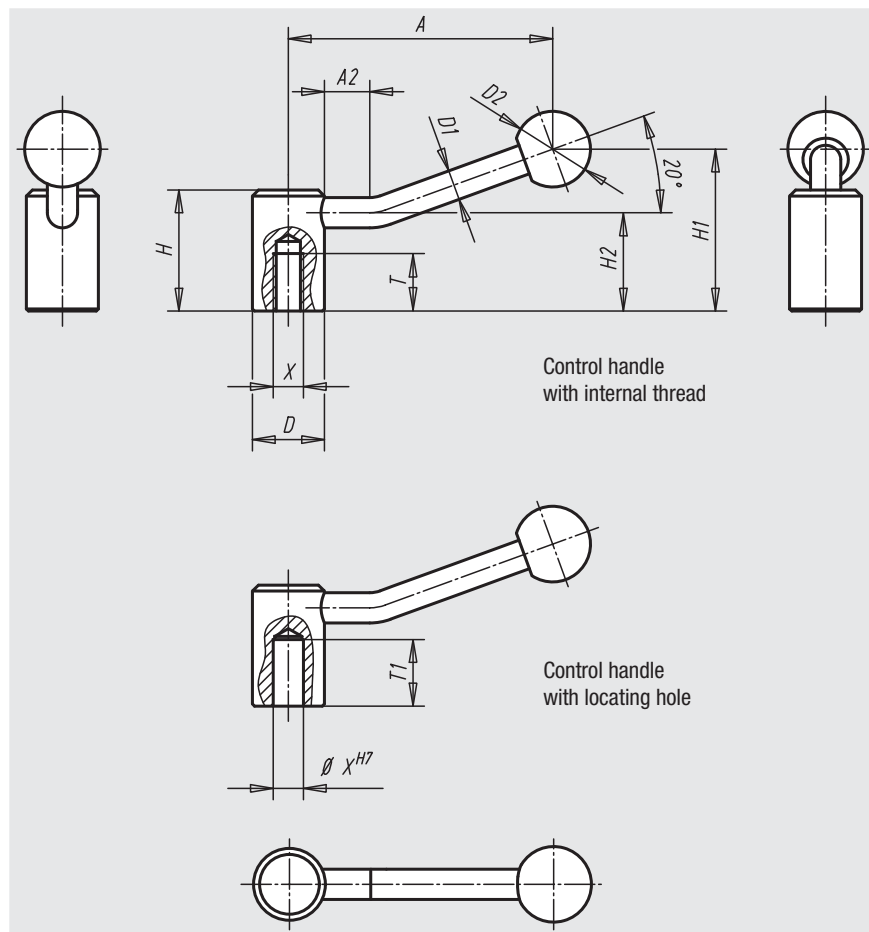
nIm 06340-208

**Note:**

Control handles can be used for simple clamping applications and switching operations. Generally there must be enough space so that the handle can be turned 360°.

**On request:**

Other internal threads and locating holes and special versions.  
Dimension „A“ available in other lengths at extra charge.



Order No.	Surface finish	Size	X	T	T1	D	D1	D2	H	H1	H2	A	A2	Approx. weight kg
06340-208	internal thread	1	M8	18	-	24	10	25	40	52,5	32,5	84,5	15	0,170
06340-210	internal thread	1	M10	19	-	24	10	25	40	52,5	32,5	84,5	15	0,170
06340-212	internal thread	2	M12	20	-	28	12	32	46	61	36,5	100	15	0,260
06340-216	internal thread	3	M16	23	-	33	13	32	52	72	41	121	15	0,380
06340-220	internal thread	4	M20	26	-	41	13	32	61	80	49	123	15	0,660
06340-108	locating hole	1	8	-	22	24	10	25	40	52,5	32,5	84,5	15	0,170
06340-110	locating hole	1	10	-	22	24	10	25	40	52,5	32,5	84,5	15	0,170
06340-112	locating hole	2	12	-	25	28	12	32	46	61	36,5	100	15	0,260
06340-114	locating hole	2	14	-	25	28	12	32	46	61	36,5	100	15	0,260
06340-116	locating hole	3	16	-	28	33	13	32	52	72	41	121	15	0,380
06340-118	locating hole	3	18	-	28	33	13	32	52	72	41	121	15	0,380
06340-120	locating hole	4	20	-	32	41	13	32	61	80	49	123	15	0,660