

# Locking bars



**Material, surface finish:**

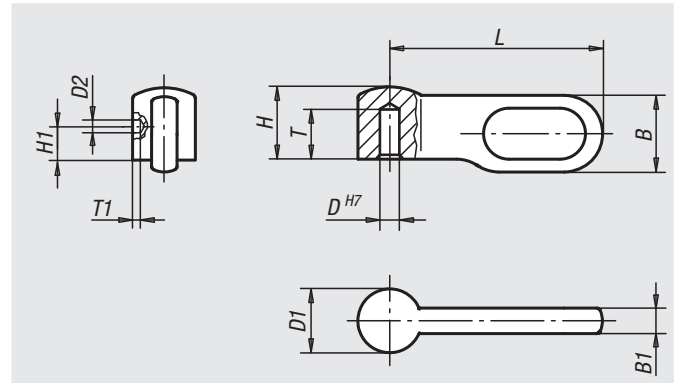
Stainless steel 1.4308, natural finish or steel, black oxide finish.

**Sample order:**

nIm 06349-1040

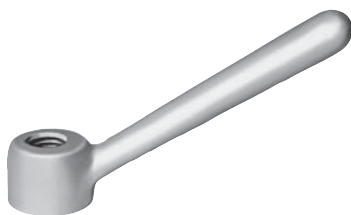
**Note:**

The locking bar can be used individually. Its styled design with the easy recessed grip gives the fingers purchase and meets the demands of modern requirements. Large clamping forces can be easily transferred. Different types of attachment can be selected due to the lateral centring.



Order No.	Surface finish	Size	B	B1	D	D1	D2	H	H1	L	T	T1
06349-1040	stainless steel	1	9	3	4	7,5	1,5	8,5	3	25	5,5	0,5
06349-2050	stainless steel	2	10,8	3,6	5	9	2	10,2	4	30	6,5	1
06349-3060	stainless steel	3	14,4	4,8	6	12	2	13,6	5	40	8,7	1
06349-4080	stainless steel	4	18	6	8	15	3	17	6	50	10,2	1
06349-1041	steel	1	9	3	4	7,5	1,5	8,5	3	25	5,5	0,5
06349-2051	steel	2	10,8	3,6	5	9	2	10,2	4	30	6,5	1
06349-3061	steel	3	14,4	4,8	6	12	2	13,6	5	40	8,7	1
06349-4081	steel	4	18	6	8	15	3	17	6	50	10,2	1

# Tension levers



**Material:**

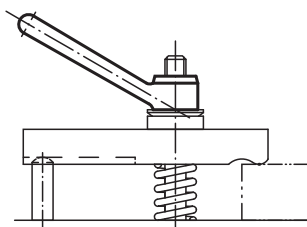
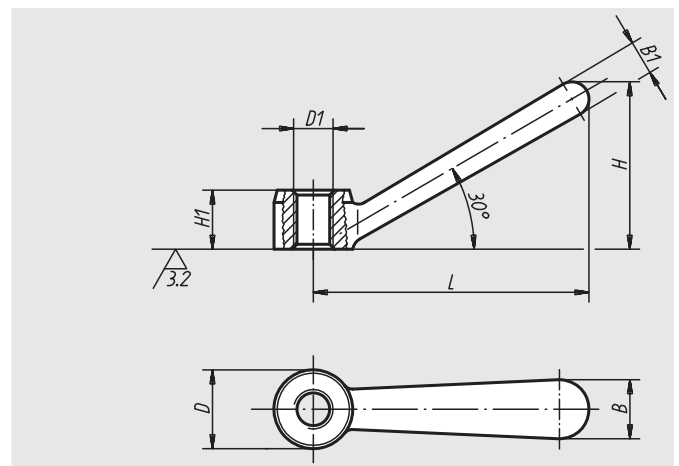
GJMW 400 malleable cast iron

**Surface finish:**

Natural finish tumbled

**Sample order:**

nIm 06350-16



Order No.	D	D1	B	B1	H	H1	L	Approx. weight kg
06350-08	16	M8	12	7	34	12	56	0,037
06350-10	20	M10	14	9	42,5	14	70	0,068
06350-12	25	M12	18	11	53	18	87	0,128
06350-16	32	M16	22	15	66,5	24	109	0,271
06350-20	40	M20	28	18	84,5	28	140	0,551