

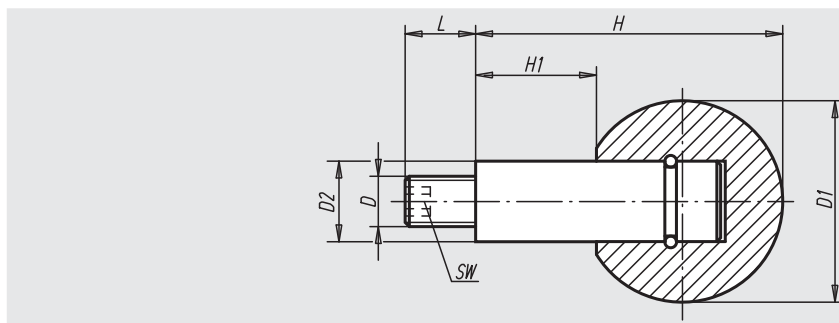
## Revolving handles short version

**Material, surface finish:**

Ball in Duroplast PF 31, black shiny finish.  
Steel bolts, blue chromated.

**Sample order:**

nIm 06353-061



Order No.	D	D1	D2	H	H1	L	SW	Approx. weight kg
06353-061	M6	25	10	37,5	15	11	3	0,035
06353-081	M8	32	13	48	19	13	4	0,070
06353-101	M10	40	16	61	24	14	5	0,125
06353-121	M12	50	20	78	31	21	6	0,215

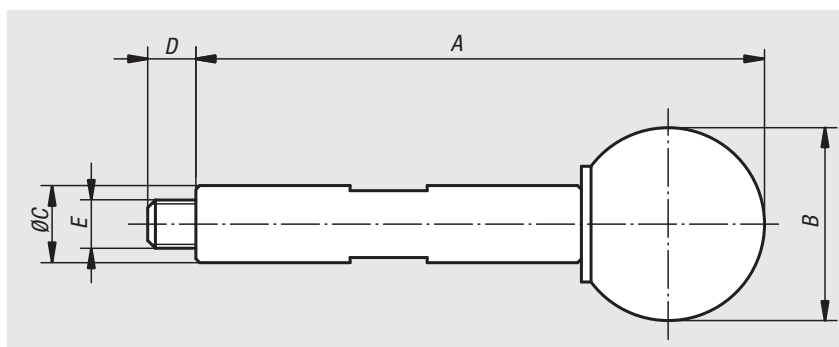
## Screw-in handles

**Material, surface finish:**

Handle in tempered steel, black oxide finish;  
ball knob in black duroplastic PF 31

**Sample order:**

nIm 06355-05059



Order No.	A	B	C	D	E	Approx. weight kg
06355-05059	59	20	8	5	M5	0,030
06355-06089	89	25	10	6	M6	0,060