

# Handles

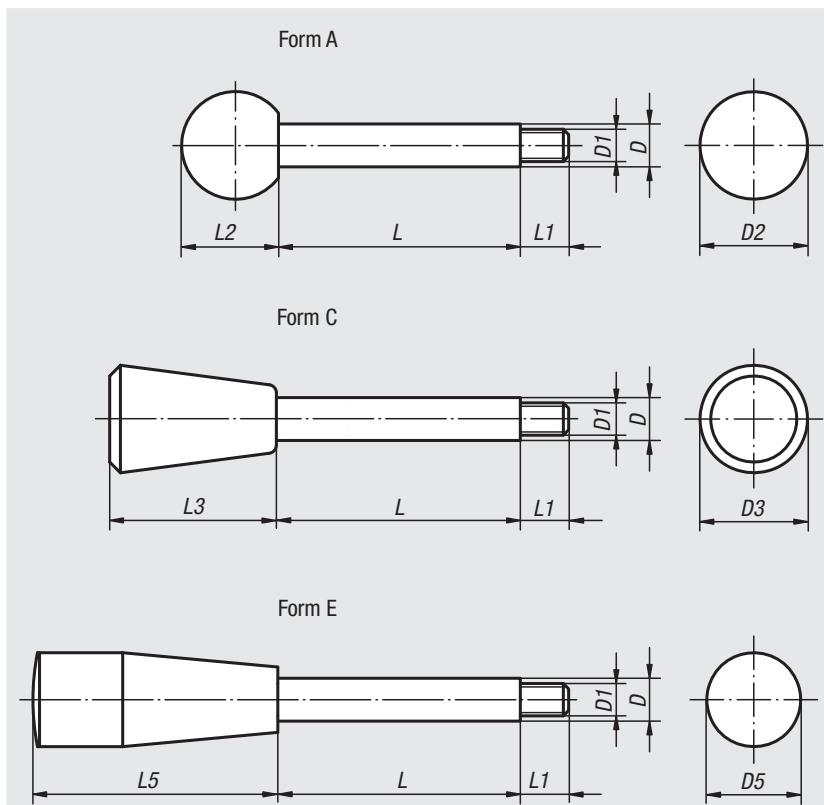
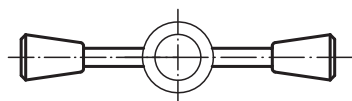


**Material, surface finish:**

Duroplastic PF 31 knobs, black, deburred with high-polish finish.  
Steel rod 1.0718, black oxide finish or stainless steel 1.4305, natural finish.

**Sample order:**

nIm 06360-208X35 (please also indicate dimension L)



Order No.	Surface finish	Form	D	D1	D2	D3	D5	L	L1	L2	L3	L5
06360-208X	Steel	A	8	M6	20	-	-	35/50/65	9	18	-	-
06360-210X	Steel	A	10	M8	25	-	-	50/65/80/100	13	22,5	-	-
06360-212X	Steel	A	12	M10	32	-	-	65/80/100/125	15	29	-	-
06360-214X	Steel	A	14	M12	35	-	-	80/100/125/160	16	32,5	-	-
06360-408X	Steel	C	8	M6	-	20	-	35/50/65	9	-	30	-
06360-410X	Steel	C	10	M8	-	25	-	50/65/80/100	13	-	38	-
06360-412X	Steel	C	12	M10	-	30	-	65/80/100/125	15	-	46	-
06360-414X	Steel	C	14	M12	-	35	-	80/100/125/160	16	-	53	-
06360-608X	Steel	E	8	M6	-	-	17	35/50/65	9	-	-	45
06360-610X	Steel	E	10	M8	-	-	23	50/65/80/100	13	-	-	60
06360-612X	Steel	E	12	M10	-	-	28	65/80/100/125	15	-	-	70
06360-614X	Steel	E	14	M12	-	-	28	80/100/125/160	16	-	-	70

Order No.	Surface finish	Form	D	D1	D2	D3	D5	L	L1	L2	L3	L5
06360-1208X	Stainless steel	A	8	M6	20	-	-	35/50/65	9	18	-	-
06360-1210X	Stainless steel	A	10	M8	25	-	-	50/65/80/100	13	22,5	-	-
06360-1212X	Stainless steel	A	12	M10	32	-	-	65/80/100/125	15	29	-	-
06360-1214X	Stainless steel	A	14	M12	35	-	-	80/100/125/160	16	32,5	-	-
06360-1408X	Stainless steel	C	8	M6	-	20	-	35/50/65	9	-	30	-
06360-1410X	Stainless steel	C	10	M8	-	25	-	50/65/80/100	13	-	38	-
06360-1412X	Stainless steel	C	12	M10	-	30	-	65/80/100/125	15	-	46	-
06360-1414X	Stainless steel	C	14	M12	-	35	-	80/100/125/160	16	-	53	-
06360-1608X	Stainless steel	E	8	M6	-	-	17	35/50/65	9	-	-	45
06360-1610X	Stainless steel	E	10	M8	-	-	23	50/65/80/100	13	-	-	60
06360-1612X	Stainless steel	E	12	M10	-	-	28	65/80/100/125	15	-	-	70
06360-1614X	Stainless steel	E	14	M12	-	-	28	80/100/125/160	16	-	-	70

01000  
02000  
03000  
04000  
05000  
06000  
07000  
08000  
09000  
20000  
21000  
22000  
23000