

Tension levers

with internal thread



Material:

Steel parts quality class 5.8,
black plastic ball knob

Surface finish:

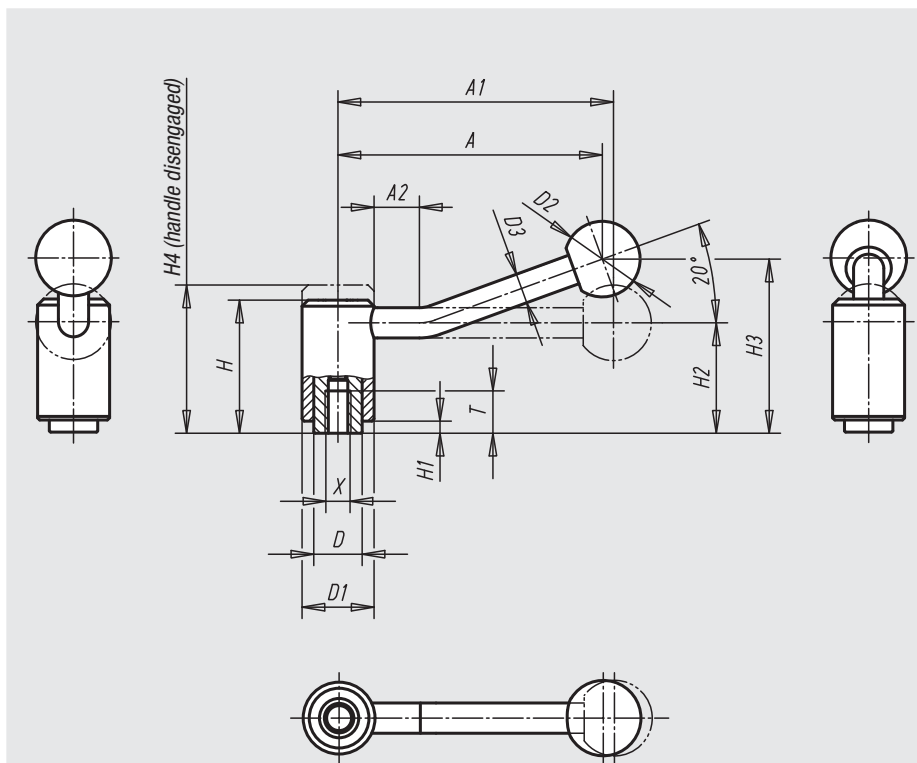
Plastic-coated with fine texture, black

Sample order:

nIm 06370-1082

On request:

Other internal threads and special versions.
Dimensions „H1“, „A“ and „A1“ available in other lengths at extra charge.



Order No. 0 degree	Order No. 20 degrees	Size	Internal thread X	T	D	D1	D2	D3	H	H1	H2	H3	H4	A	A1	A2	No. of teeth
06370-1082	06370-1081	1	M8	14	16	24	25	10	44,5	4,5	37	-/58,5	49,5	-/88	92/-	-/15	22
06370-1102	06370-1101	1	M10	14	16	24	25	10	44,5	4,5	37	-/58,5	49,5	-/88	92/-	-/15	22
06370-2102	06370-2101	2	M10	17	19	28	32	12	51,5	5,5	42	-/68,5	57,5	-/106	111/-	-/15	24
06370-2122	06370-2121	2	M12	17	19	28	32	12	51,5	5,5	42	-/68,5	57,5	-/106	111/-	-/15	24
06370-3122	06370-3121	3	M12	23	23	33	32	13	58	6	47	-/81	65	-/128,5	134,5/-	-/15	26
06370-3162	06370-3161	3	M16	23	23	33	32	13	58	6	47	-/81	65	-/128,5	134,5/-	-/15	26
06370-4162	06370-4161	4	M16	27	30	41	32	13	68,5	7,5	56,5	-/89,5	76,5	-/128,5	134/-	-/15	36
06370-4202	06370-4201	4	M20	27	30	41	32	13	68,5	7,5	56,5	-/89,5	76,5	-/128,5	134/-	-/15	36
06370-4242	06370-4241	4	M24	27	30	41	32	13	68,5	7,5	56,5	-/89,5	76,5	-/128,5	134/-	-/15	36