

Tension levers in stainless steel

with external thread



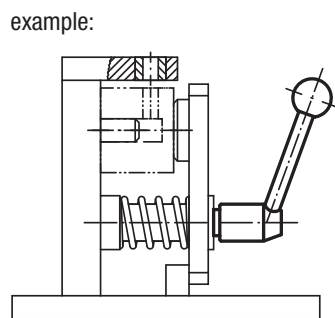
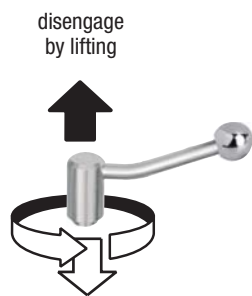
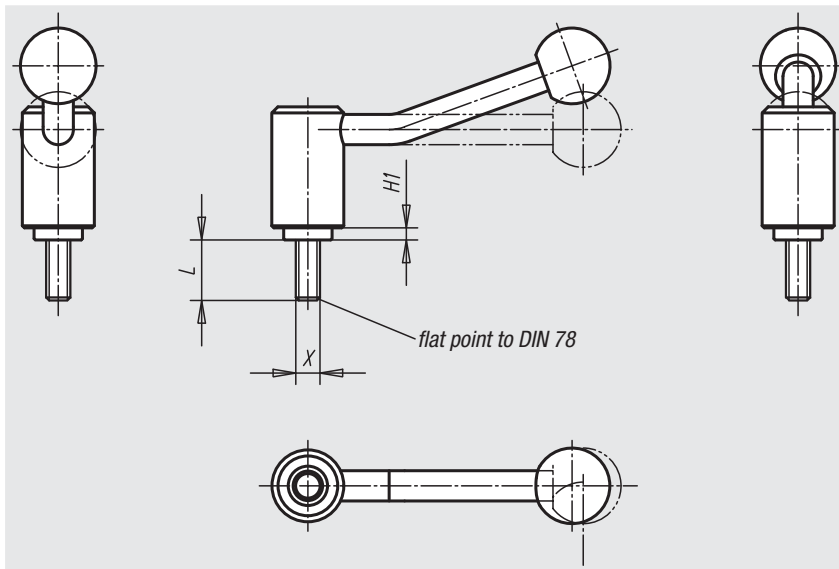
Material:
Steel parts in stainless steel, 1.4305,
black plastic ball knob

Surface finish:
Steel parts natural finish

Sample order:
nlm 06381-1082X30 (please also indicate dimension L)

Note:
Missing dimensions see 06371.

On request:
Other external threads, screw lengths and special versions.
Dimensions „H1“, „A“ and „A1“ available in other lengths at extra charge.



Order No. 0 degree	Order No. 20 degrees	Size	External thread X	H1	L = screw length
06381-1082X	06381-1081X	1	M8	4,5	15/20/25/30/40/50/60
06381-1102X	06381-1101X	1	M10	4,5	15/20/25/30/40/50/60
06381-1122X	06381-1121X	1	M12	4,5	15/20/25/30/40/50/60
06381-2122X	06381-2121X	2	M12	5,5	20/25/30/40/50/60
06381-3122X	06381-3121X	3	M12	6	20/25/30/40/50/60/70/80/90
06381-3162X	06381-3161X	3	M16	6	20/25/30/40/50/60/70/80/90
06381-4162X	06381-4161X	4	M16	7,5	30/40/50/60/70/80/90
06381-4202X	06381-4201X	4	M20	7,5	30/40/50/60/70/80/90

01000
02000
03000
04000
05000
06000
07000
08000
09000
20000
21000
22000
23000