

Flat tension levers

with internal thread



Material:

Steel parts quality class 5.8,
black plastic ball knob

Surface finish:

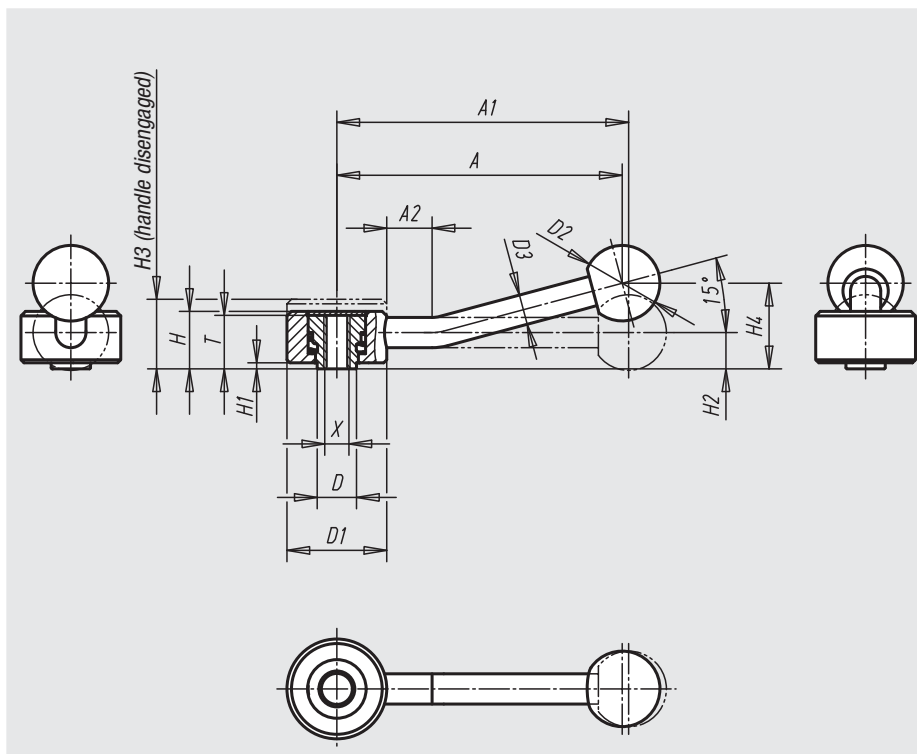
Black oxide finish

Sample order:

nIm 06390-1061

On request:

Other internal threads and special versions.
Dimensions „H1“, „A“ and „A1“ available in other lengths at extra charge.



Order No. 0 degree	Order No. 15 degrees	Size	Internal thread X	T	D	D1	D2	D3	H	H1	H2	H3	H4	A	A1	A2	No. of teeth	Approx. weight kg
06390-1061	06390-1062	1	M6	18	13,5	33	25	10	19	2	12	23	-/29	-/100	102/-	-/15	26	0,160
06390-1081	06390-1082	1	M8	18	13,5	33	25	10	19	2	12	23	-/29	-/100	102/-	-/15	26	0,160
06390-2101	06390-2102	2	M10	21	19	41	30	12	22	2	13,5	26	-/38	-/127	131/-	-/15	30	0,290
06390-2121	06390-2122	2	M12	21	19	41	30	12	22	2	13,5	26	-/38	-/127	131/-	-/15	30	0,290
06390-3121	06390-3122	3	M12	27	23	45	37	14	28	2	17	33	-/48	-/145	148/-	-/15	36	0,450
06390-3161	06390-3162	3	M16	27	23	45	37	14	28	2	17	33	-/48	-/145	148/-	-/15	36	0,450