

Flat tension levers in stainless steel

with external thread



Material:

Steel parts in stainless steel, 1.4305,
black plastic ball knob.

Surface finish:

Steel parts natural finish.

Sample order:

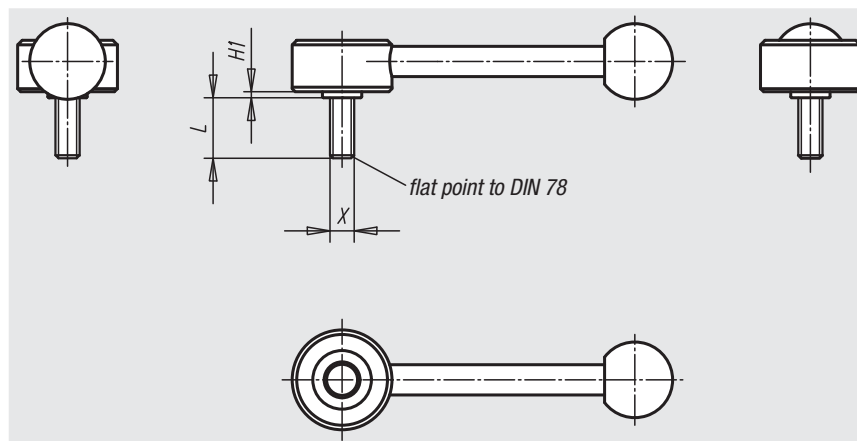
nIm 06401-1081X40 (please also indicate dimension L)

Note:

Missing dimensions see flat tension levers, stainless steel, internal thread.

On request:

Other external threads, screw lengths and special versions.
Dimensions „H1“, „A“ and „A1“ available in other lengths at extra charge.



Order No.	Size	External thread X	H1	L = screw length
06401-1081X	1	M8	2	30/40/50
06401-2101X	2	M10	2	30/40/50/60
06401-2121X	2	M12	2	30/40/50/60
06401-3161X	3	M16	2	40/50/60