

Ball handles

**Material:**

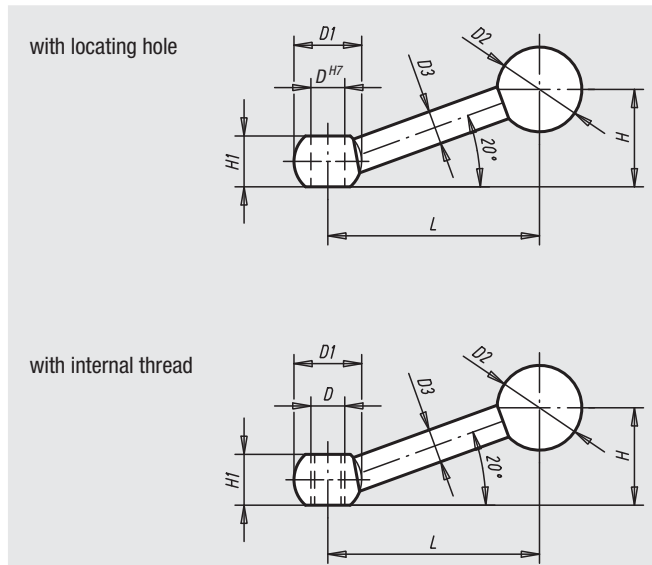
Steel,
Ball handle: Duroplast

Surface finish:

black oxide finish, head of handle black

Sample order:

nIm 06420-112



Order No. locating hole	Order No. Internal thread	D	D1	D2	D3	H	H1	L	Approx. weight kg
06420-108	06420-208	M8	16	20	8	23	12	50	0,030
06420-110	06420-210	M10	20	20	9	30	14,5	66	0,055
06420-112	06420-212	M12	25	25	11	37,5	18,5	82,5	0,105
06420-116	06420-216	M16	32	32	15	47	24	103	0,225

Steel clamp levers

**Material:**

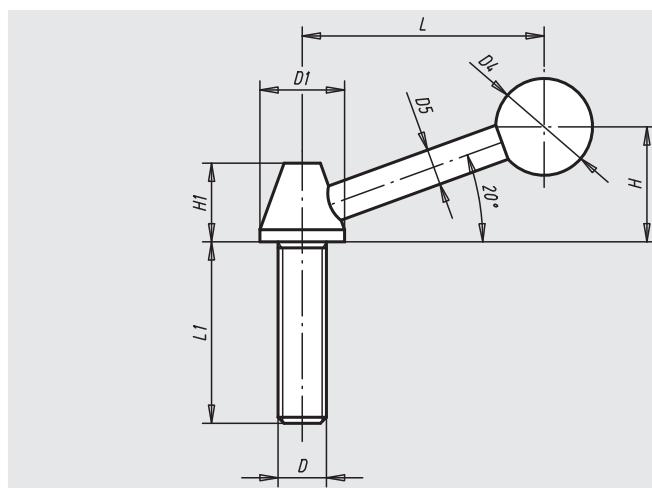
Steel,
Ball handle: Duroplast

Surface finish:

steel black oxide finish, head of handle black

Sample order:

nIm 06430-112



Order No.	D	D1	D4	D5	H	H1	L	L1	Approx. weight kg
06430-108	M8	14	16	6	19	13	40	45	0,050
06430-110	M10	18	20	6	24	17	54	60	0,080
06430-112	M12	22	30	10	42	19	82	70	0,150
06430-116	M16	25	32	12	55	23	110	75	0,265