

Clamp levers

with internal thread, steel parts in stainless steel



Material:

Handle in die cast zinc to DIN 1743, steel parts in stainless steel, 1.4305

Surface finish:

Handle plastic-coated; steel parts natural finish

Sample order:

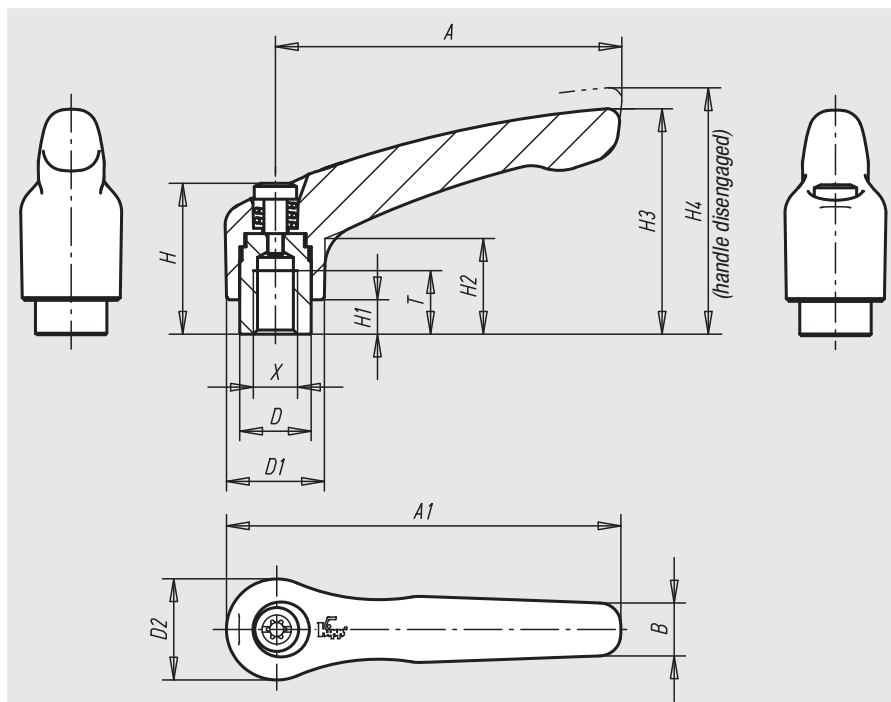
nIm 06451-1051

Note:

Standard colours are: black satin finish, orange RAL 2004.

On request:

Other internal threads, colours and special versions. Dimension „H1“ available in other lengths at extra charge.



disengage
by lifting



| Order No. black satin finish | Order No. orange | Size | Internal thread X | T | D | D1 | D2 | H | H1 | H2 | H3 | H4 | A | A1 | B | No. of teeth | Approx. weight kg |
|---------------------------------|---------------------|------|-------------------------|----|------|------|------|------|-----|------|------|------|-----|------|-----|-----------------|-------------------------|
| 06451-0031 | 06451-0032 | 0 | M3 | 9 | 10 | 13 | 14 | 24,5 | 4 | 14,5 | 30 | 33 | 30 | 37 | 7 | 16 | 0,036 |
| 06451-0041 | 06451-0042 | 0 | M4 | 9 | 10 | 13 | 14 | 24,5 | 4 | 14,5 | 30 | 33 | 30 | 37 | 7 | 16 | 0,036 |
| 06451-0051 | 06451-0052 | 0 | M5 | 9 | 10 | 13 | 14 | 24,5 | 4 | 14,5 | 30 | 33 | 30 | 37 | 7 | 16 | 0,036 |
| 06451-1041 | 06451-1042 | 1 | M4 | 9 | 10 | 13 | 14 | 24,5 | 4 | 14,5 | 31 | 34 | 40 | 47 | 7 | 16 | 0,040 |
| 06451-1051 | 06451-1052 | 1 | M5 | 9 | 10 | 13 | 14 | 24,5 | 4 | 14,5 | 31 | 34 | 40 | 47 | 7 | 16 | 0,040 |
| 06451-1061 | 06451-1062 | 1 | M6 | 9 | 10 | 13 | 14 | 24,5 | 4 | 14,5 | 31 | 34 | 40 | 47 | 7 | 16 | 0,040 |
| 06451-2061 | 06451-2062 | 2 | M6 | 12 | 13,5 | 18,5 | 19 | 28,5 | 6,5 | 17,5 | 42,5 | 45,5 | 65 | 74,5 | 9,5 | 20 | 0,090 |
| 06451-2081 | 06451-2082 | 2 | M8 | 12 | 13,5 | 18,5 | 19 | 28,5 | 6,5 | 17,5 | 42,5 | 45,5 | 65 | 74,5 | 9,5 | 20 | 0,090 |
| 06451-3081 | 06451-3082 | 3 | M8 | 14 | 16 | 21 | 22 | 37 | 10 | 24 | 54,5 | 58,5 | 80 | 91 | 11 | 22 | 0,130 |
| 06451-3101 | 06451-3102 | 3 | M10 | 14 | 16 | 21 | 22 | 37 | 10 | 24 | 54,5 | 58,5 | 80 | 91 | 11 | 22 | 0,130 |
| 06451-4101 | 06451-4102 | 4 | M10 | 17 | 19 | 27 | 27,5 | 43 | 10 | 27 | 63 | 67,5 | 95 | 109 | 13 | 24 | 0,210 |
| 06451-4121 | 06451-4122 | 4 | M12 | 17 | 19 | 27 | 27,5 | 43 | 10 | 27 | 63 | 67,5 | 95 | 109 | 13 | 24 | 0,210 |
| 06451-5121 | 06451-5122 | 5 | M12 | 23 | 23 | 31 | 32 | 49 | 12 | 31,5 | 73 | 77,5 | 110 | 126 | 15 | 26 | 0,330 |
| 06451-5161 | 06451-5162 | 5 | M16 | 23 | 23 | 31 | 32 | 49 | 12 | 31,5 | 73 | 77,5 | 110 | 126 | 15 | 26 | 0,330 |